

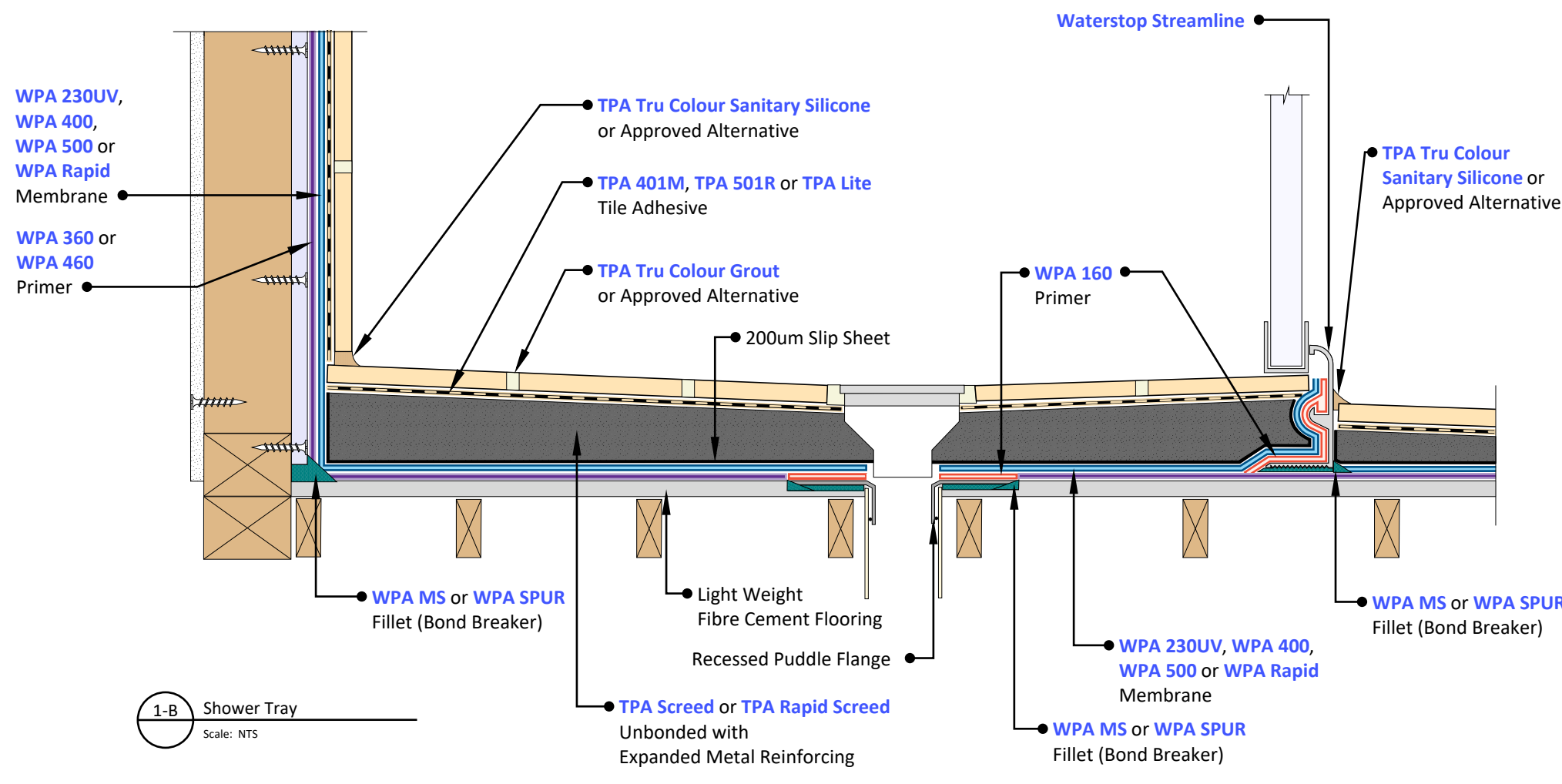
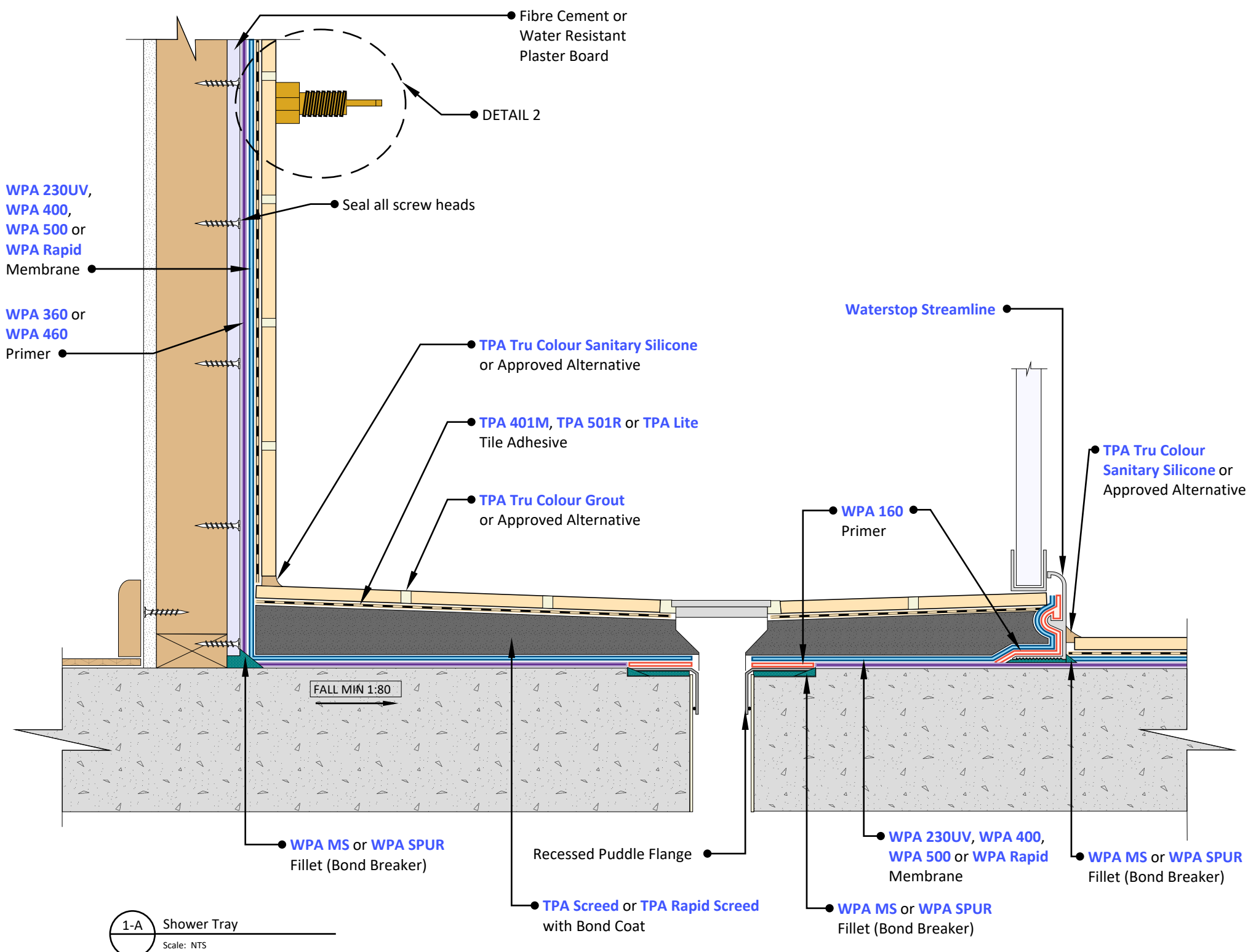
WP210 Waterproofing Wet Areas - Enclosed Shower with Waterstop Streamline (under screed)

Preparation:

1. All surfaces to be waterproofed must be firm, clean, dry, sound and smooth. All grease, oil, wax, curing compounds, loose material, paint and any other contaminants must be removed, masonry surfaces must be pointed flush and surface defects repaired. New concrete must be cured for a minimum of 28 days.
2. External corners to be waterproofed must be bevelled to ensure a smooth transition of membrane from vertical to horizontal surfaces.

Installation:

1. Waterproofing installation shall be in accordance with the applicable provisions of the National Construction Code.
Tile installation shall be in accordance with AS 3958 Installation of Ceramic and Stone Tiles.
2. Install a puddle flange to all waste pipes, ensuring that puddle flanges are recessed into the substrate.
3. Install **Waterstop Streamline** angle to the perimeter of the shower and at the door opening.
4. Install an appropriate fillet (bond breaker) to all transitions using **WPA MS** or **WPA SPUR**.
WPA MS is a single component, moisture cured silane modified hybrid sealant.
WPA SPUR is a high quality, professional, universal, low modulus sealant based on hybrid technology.
5. Apply **WPA 160** primer to non-porous surfaces, such as puddle flange and waterstop angle.
WPA 160 is a specialised solvent free primer designed for enhancing the adhesion of subsequent membranes, adhesives, toppings and decorative finishes over non-porous substrates.
6. Apply **WPA 360** or **WPA 460** primer to the substrate to be waterproofed.
WPA 360 is a water-based, low solids, fast drying primer.
WPA 460 is a two-part, water-based epoxy primer, used to seal concrete and masonry surfaces.
7. Apply **WPA 230UV**, **WPA 400**, **WPA 500** or **WPA Rapid** membrane in a minimum of two coats to achieve the required dry film thickness. Ensure that the previous coat has completely dried before applying the subsequent coat(s). NOTE: All penetrations must be waterproofed.
WPA 230UV is an elastomeric, fibre reinforced, water-based polyurethane membrane system designed for exposed or under tile applications.
WPA 400 is an elastomeric, fibre reinforced waterproofing membrane based on high performance polymer technology designed for use under tile finishes.
WPA 500 is a waterborne, fibre reinforced, flexible waterproof membrane designed for use under tile finishes.
WPA Rapid is a fast curing, waterborne flexible waterproof membrane designed for use under tile finishes.
8. Install **TPA Screed** to achieve appropriate falls to waste. Where a bonded screed is required, apply a bond coat using **TPA 401M** or **TPA Lite**.
Install **TPA Rapid Screed** for an engineered or rapid set screed, using a bond coat of **TPA Rapid** for bonded screeds.
TPA Screed is a pre-blended screed mixture for the installation of cementitious screeds and tile beds, suitable for internal and external floor applications.
TPA Rapid Screed is a pre-blended, rapid set, engineered screed mixture for the installation of cementitious screeds and tile beds, suitable for internal and external floor applications.
9. Install tiles using **TPA 401M**, **TPA 501R** or **TPA Lite** tile adhesive.
TPA 401M is a white, flexible, powdered adhesive for wall and floor applications.
TPA 501R is a cost effective, high coverage, flexible, powdered adhesive for wall and floor applications.
TPA Lite is a premium grade, white, fibre reinforced, flexible cement based tile adhesive, based on a light weight formulation.
10. Grout tiles using **TPA Tru Colour Grout** or approved alternative.
TPA Tru Colour Grout is a high-performance stain & efflorescence resistant grout, designed for use with most types of Ceramic, Mosaic, Natural Stone and Glass Tiles.
11. Install backing rod to all perimeter and intermediate movement joints and seal with **TPA Tru Colour Sanitary Silicone** or approved alternative.
TPA Tru Colour Sanitary Silicone is a mould resistant, non-diluted, high performance, UV resistant, neutral cure silicone sealant.

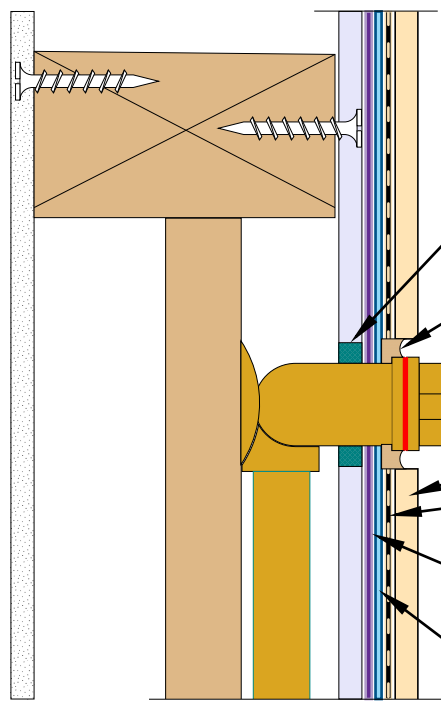


© COPYRIGHT BAYSET PTY LTD
 ANY FORM OF REPRODUCTION OF THIS DRAWING IN FULL OR IN PART WITHOUT THE WRITTEN PERMISSION OF BAYSET PTY LTD CONSTITUTES AN INFRINGEMENT OF COPYRIGHT



**Waterproofing Wet Areas
 - Enclosed Shower with Waterstop Streamline (under screed)**

DRAWING NUMBER	SCALE: NTS
WP210	RELEASE: October 22, 2024
	DRAWN BY: CS



● **WPA MS or WPA SPUR**
Fillet (Bond Breaker)

● **TPA Tru Colour Sanitary Silicone**
or Approved Alternative

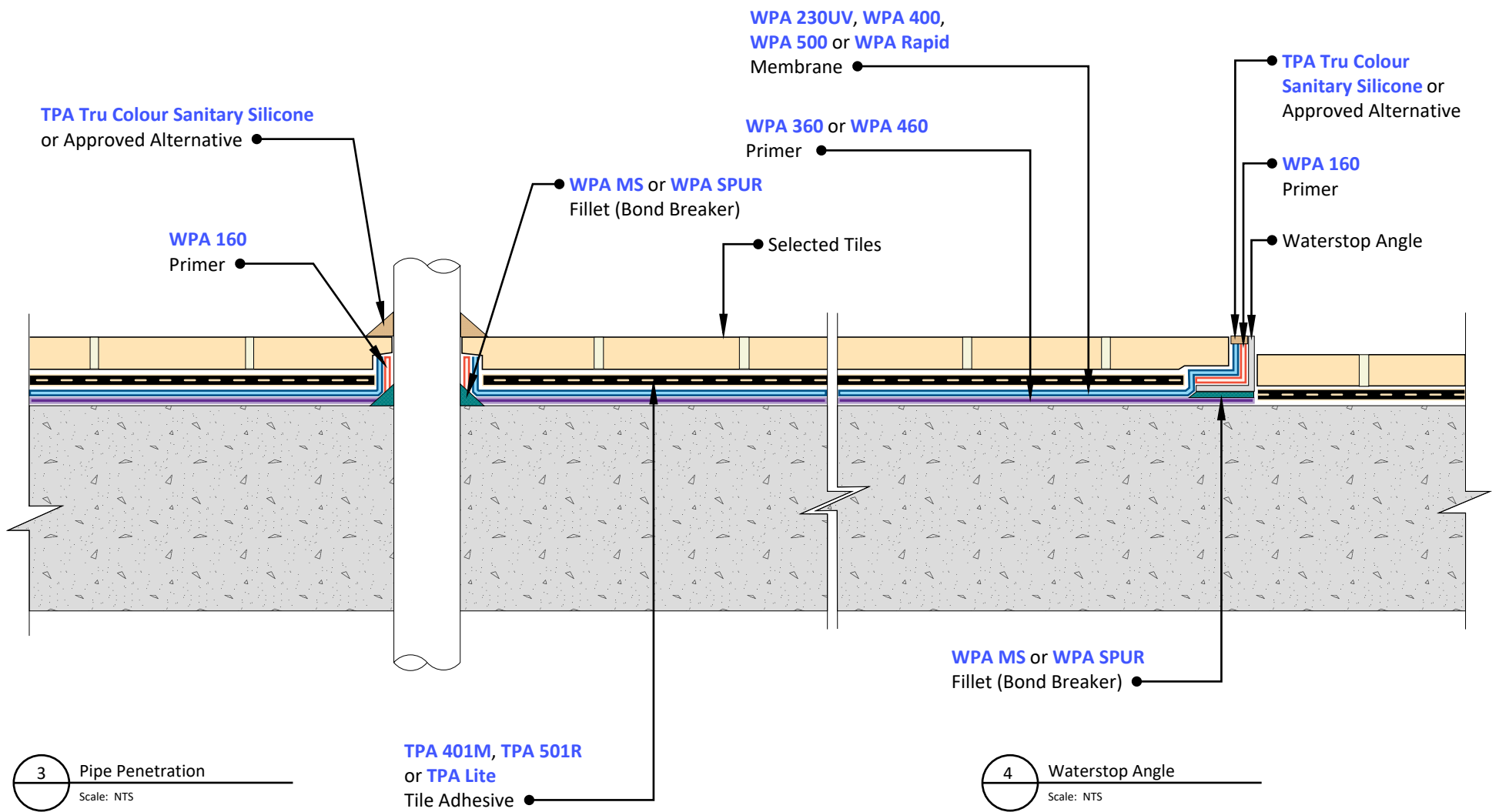
● Selected Tiles

● **TPA 401M, TPA 501R or TPA Lite**
Tile Adhesive

● **WPA 360 or WPA 460**
Primer

● **WPA 230UV, WPA 400,
WPA 500 or WPA Rapid**
Membrane

2 Tap Spindle
Scale: NTS



● **TPA Tru Colour Sanitary Silicone**
or Approved Alternative

● **WPA 160**
Primer

● **WPA MS or WPA SPUR**
Fillet (Bond Breaker)

● **WPA 230UV, WPA 400,
WPA 500 or WPA Rapid**
Membrane

● **WPA 360 or WPA 460**
Primer

● Selected Tiles

● **TPA Tru Colour Sanitary Silicone**
or Approved Alternative

● **WPA 160**
Primer

● Waterstop Angle

● **WPA MS or WPA SPUR**
Fillet (Bond Breaker)

● **TPA 401M, TPA 501R**
or **TPA Lite**
Tile Adhesive

4 Waterstop Angle
Scale: NTS

3 Pipe Penetration
Scale: NTS

© COPYRIGHT BAYSET PTY LTD
ANY FORM OF REPRODUCTION OF
THIS DRAWING IN FULL OR IN
PART WITHOUT THE WRITTEN
PERMISSION OF BAYSET PTY LTD
CONSTITUTES AN INFRINGEMENT
OF COPYRIGHT



**Waterproofing Wet Areas
- Enclosed Shower with Waterstop
Streamline (under screed)**

DRAWING NUMBER

WP210

SCALE: NTS

RELEASE: October 22, 2024

DRAWN BY: CS