



SOPREMA WATERPROOFING SYSTEMS

ARCHITECTS, DESIGNERS AND
SPECIFIERS GUIDE

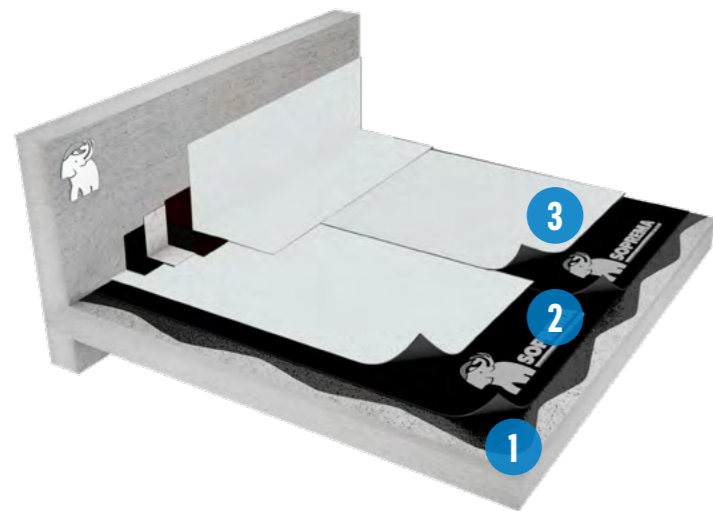


BITUMINOUS TORCH-ON SYSTEMS

SOPRALENE® and SOPRASUN® systems offer great waterproofing design tailored to your needs. Our systems have been designed to meet the normative requirements and environmental challenges of the Australian climate.



CONVENTIONAL SYSTEM



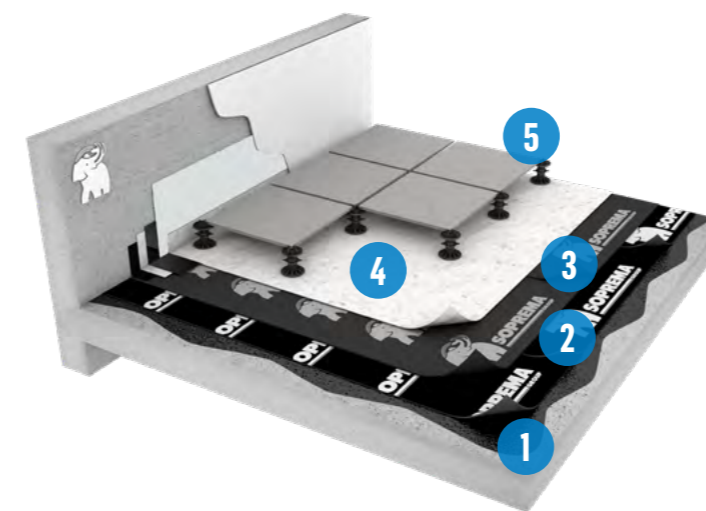
OPTION 1: SBS System

1. Primer: **ANTIROCK PRIMER**
2. Base Sheet: **SOPRALENE FLAM 180**
3. Cap Sheet: **SOPRALENE FLAM 180 GR**

OPTION 2: APP System

1. Primer: **ANTIROCK PRIMER**
2. Base Sheet: **SOPRASUN PLUS 3**
3. Cap Sheet: **SOPRASUN PLUS 4.5KG MINERAL**

PAVED SYSTEM



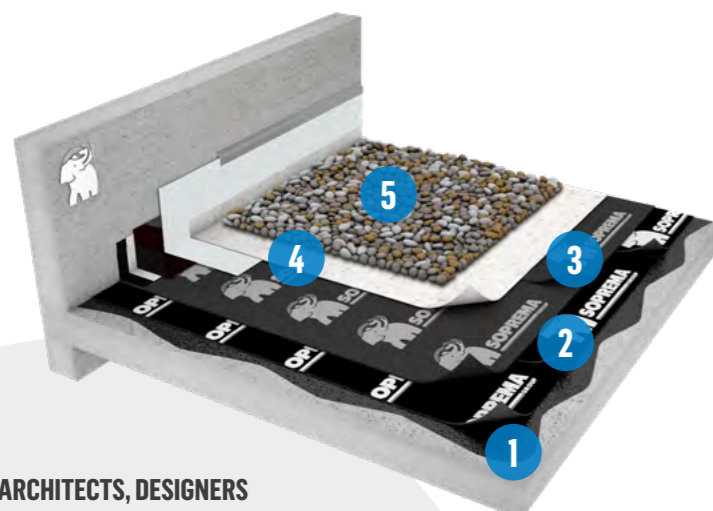
OPTION 1: SBS System

1. Primer: **ANTIROCK PRIMER**
2. Base Sheet: **SOPRALENE FLAM 180**
3. Base Sheet (2nd layer): **SOPRALENE FLAM 180**
4. Separation sheet: **GEOLAND PT FR 200 (optional)**
5. Pavers on pedestals

OPTION 2: APP System

1. Primer: **ANTIROCK PRIMER**
2. Base Sheet: **SOPRASUN PLUS 3**
3. Base Sheet (2nd layer): **SOPRASUN PLUS 3**
4. Separation sheet: **GEOLAND PT FR 200 (optional)**
5. Pavers on pedestals

BALLASTED SYSTEM



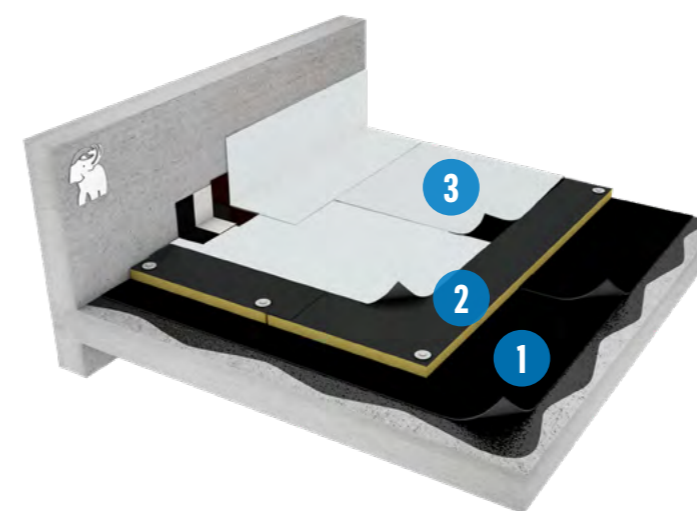
OPTION 1: SBS System

1. Primer: **ANTIROCK PRIMER**
2. Base Sheet: **SOPRALENE FLAM 180**
3. Base Sheet (2nd layer): **SOPRALENE FLAM 180**
4. Separation sheet: **GEOLAND PT FR 200**
5. Ballast (gravel)

OPTION 2: APP System

1. Primer: **ANTIROCK PRIMER**
2. Base Sheet: **SOPRASUN PLUS 3 PLAIN**
3. Base Sheet (2nd layer): **SOPRASUN PLUS 3**
4. Separation sheet: **GEOLAND PT FR 200**
5. Ballast (gravel)

RECOVERY SYSTEM



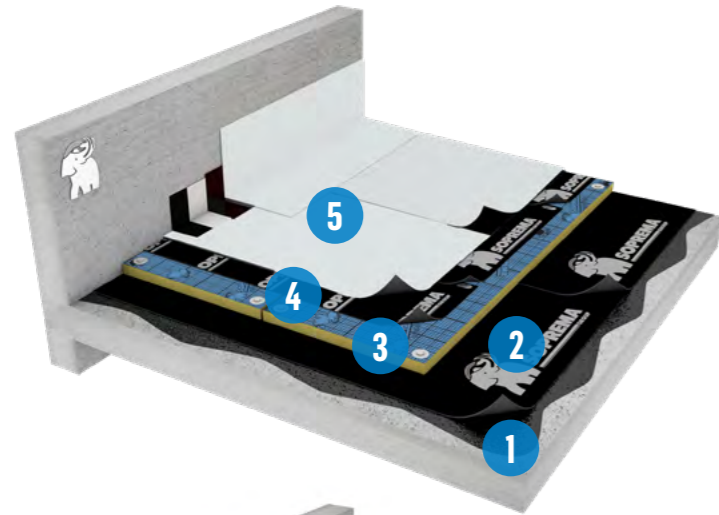
OPTION 1: SBS System

1. Existing failed membrane
2. Recovery board: **2-1 SOPRASMART BOARD** or **3-1 SOPRASMART ROCK**
3. Cap sheet: **SOPRALENE FLAM 180 GR**

ARCHITECTS, DESIGNERS AND SPECIFIERS

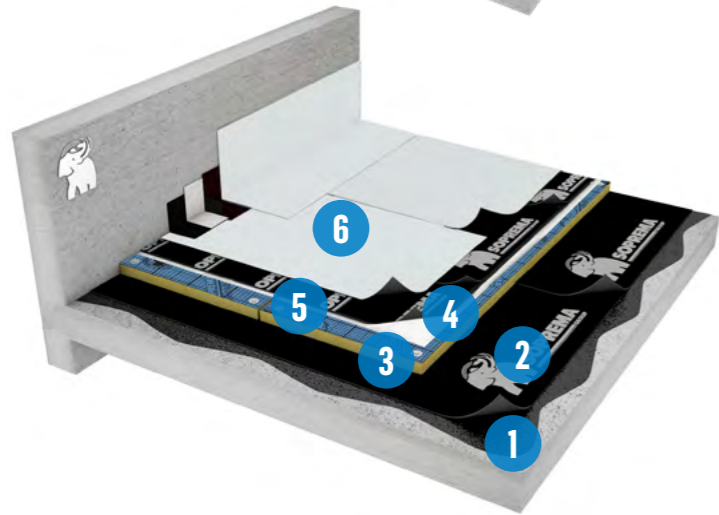
For specification support and project assistance, speak to your local SOPREMA representative or email us at info@soprema.com.au

WARM ROOF SYSTEM



OPTION 1: SBS System

1. Primer: **ELASTOCOL STICK**
2. Vapour control layer: **SOPRAVAP'R**
3. Insulation: **SOPRA-ISO BLUE**
4. Base sheet mechanically fixed: **SOPRAFIX BASE 630**
5. Cap sheet: **SOPRALENE FLAM 180 GR**



OPTION 2: APP System

1. Primer: **ELASTOCOL STICK**
2. Vapour control layer: **SOPRAVAP'R**
3. Insulation: **SOPRA-ISO BLUE**
4. Fire resistant separation layer: **SOPRAVOILE 100**
5. Base sheet mechanically fixed: **SOPRASUN PLUS 3**
6. Cap sheet: **SOPRASUN PLUS 4.5KG MINERAL**

SOPRA-ISO BLUE

SOPRA-ISO BLUE is a high performance thermal insulation board, composed of closed-cell polyisocyanurate (PIR) foam.

It is laminated on both sides with textured aluminium facer, providing great fire resistance. The blue upper-facing provides a glare-free surface, easing the installation process.

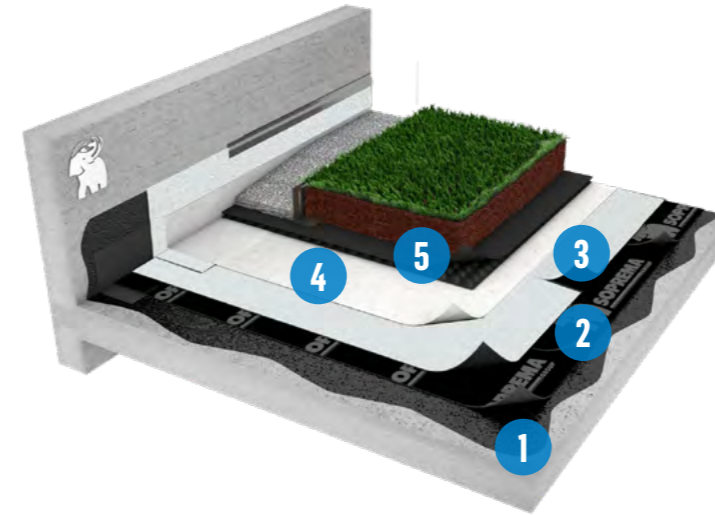
DENSITY: 34 kg/m³

R-VALUE (80mm): R 4.00



- ✓ SUPERIOR THERMAL PERFORMANCE WITH MINIMAL THICKNESS
- ✓ SUPERIOR COMPRESSIVE STRENGTH AND GREAT DIMENSIONAL STABILITY
- ✓ GREAT FIRE RESISTANCE

GREEN ROOF AND PLANTER BOXES SYSTEM



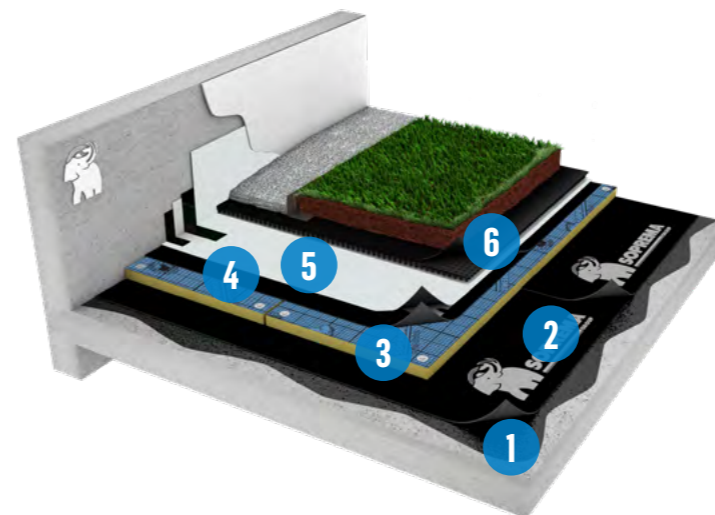
OPTION 1: SBS System

1. Primer: **ANTIROCK PRIMER**
2. Base Sheet: **SOPRALENE FLAM 180**
3. Cap Sheet: **SOPRALENE FLAM JARDIN CAP (anti-root)**
4. Separation sheet: **GEOLAND PT FR 200 (optional)**
5. Drainage board: **SOPRADRAIN ECO 10**

OPTION 2: APP System

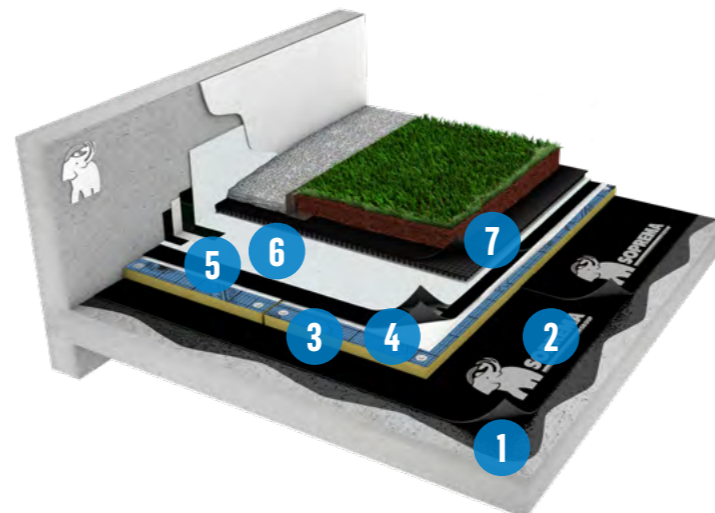
1. Primer: **ANTIROCK PRIMER**
2. Base Sheet: **SOPRASUN PLUS 3**
3. Cap Sheet: **SOPRAGUM GARDEN 4 PLUS (anti-root)**
4. Separation sheet: **GEOLAND PT FR 200 (optional)**
5. Drainage board: **SOPRADRAIN ECO 10**

GREEN ROOF + WARM ROOF SYSTEM



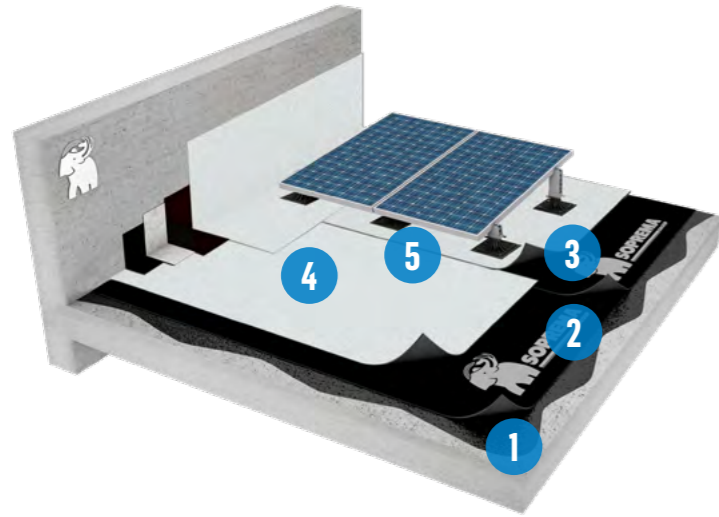
OPTION 1: SBS System

1. Adhesive: **ELASTOCOL STICK**
2. Vapour control layer: **SOPRAVAP'R**
3. Insulation: **SOPRA-ISO BLUE**
4. Base sheet: **SOPRAFIX BASE 630**
5. Cap sheet: **SOPRALENE FLAM JARDIN CAP (anti-root)**
6. Drainage board: **SOPRADRAIN ECO 10**



OPTION 2: APP System

1. Adhesive: **ELASTOCOL STICK**
2. Vapour control layer: **SOPRAVAP'R**
3. Insulation: **SOPRA-ISO BLUE**
4. Fire resistant separation layer: **SOPRAVOILE 100**
5. Base sheet: **SOPRASUN PLUS 3**
6. Cap sheet: **SOPRAGUM GARDEN 4 PLUS (anti-root)**
7. Drainage board: **SOPRADRAIN ECO 10**

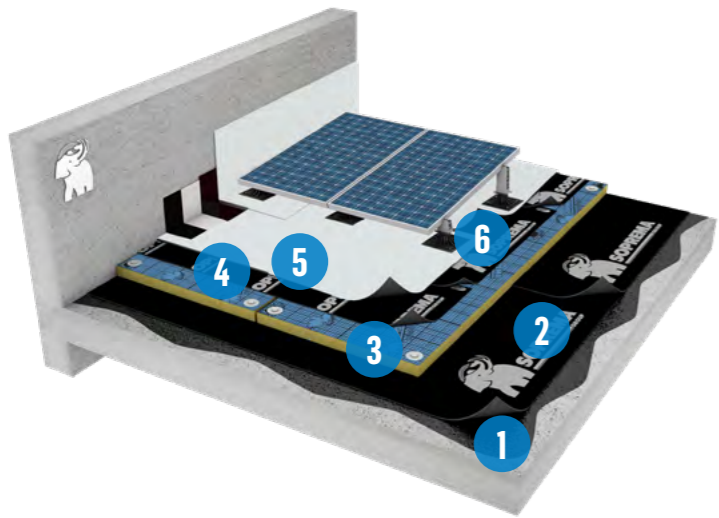


OPTION 1: SBS System

1. Primer: **ANTIROCK PRIMER**
2. Base Sheet: **SOPRALENE FLAM 180**
3. Cap Sheet: **SOPRALENE FLAM 180 GR**
4. Solar Support: **SOPRASOLAR FIX EVO TILT BITUMEN**

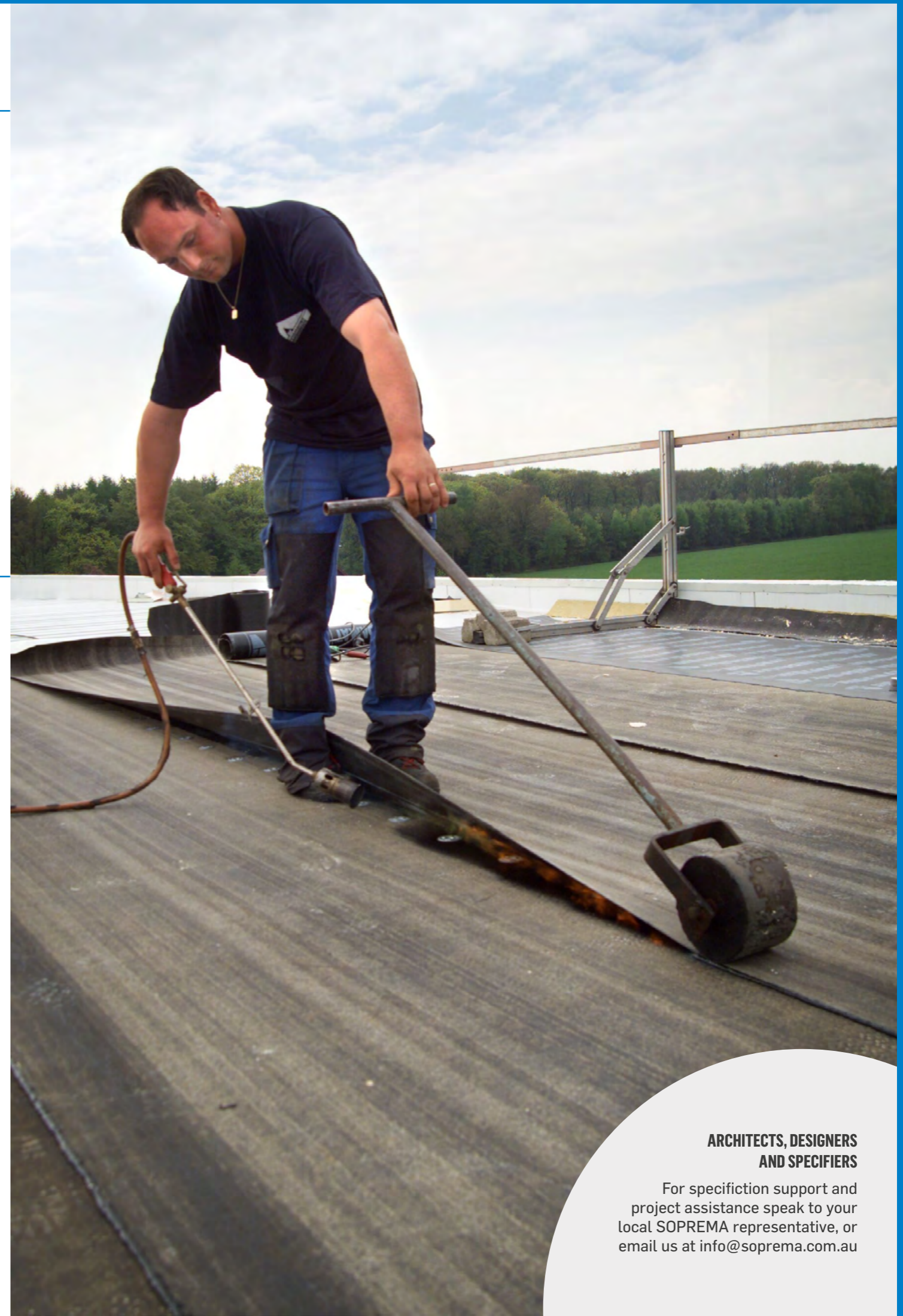
OPTION 2: APP System

1. Primer: **ANTIROCK PRIMER**
2. Base Sheet: **SOPRASUN PLUS 3 PLAIN**
3. Cap Sheet: **SOPRASUN PLUS 4.5KG MINERAL**
4. Solar Support: **SOPRASOLAR FIX EVO TILT BITUMEN**



OPTION 1: SBS System

1. Adhesive: **ELASTOCOL STICK**
2. Vapour control layer: **SOPRAVAP'R**
3. Insulation: **SOPRA-ISO BLUE** (mechanically fixed, or adhered with **DUOTACK**)
4. Base sheet: **SOPRIFIX BASE 630**
5. Cap sheet: **SOPRALENE FLAM 180 GR**
6. Solar Support: **SOPRASOLAR FIX EVO TILT BITUMEN**



**ARCHITECTS, DESIGNERS
AND SPECIFIERS**

For specification support and project assistance speak to your local SOPREMA representative, or email us at info@soprema.com.au

SBS MODIFIED BITUMEN WATERPROOFING MEMBRANES



SOPRALENE FLAM 180

Heat-welded **base sheet** membrane designed for roofing and some below grade applications. It is composed of a non-woven polyester reinforcement with excellent resistance against puncture and tear.

[VISIT WEBSITE](#)

[DOWNLOAD TDS](#)



SOPRAPLY STICK DUO

Self-adhered **base sheet** membrane designed for roofing applications. It is composed with a glass grid and polyester reinforcement with high dimensional stability and resistance against puncture and tear.

[VISIT WEBSITE](#)

[DOWNLOAD TDS](#)



DUO SELVEDGE
TECHNOLOGY



SOPRALENE FLAM 180 ALU/WHITE/COPPER

High-performance **cap sheet** used in: membrane with a non-woven- Cool Roof Systems polyester reinforcement. The topside is protected by an embossed aluminium foil and the underside by a thermofusible film.

[VISIT WEBSITE](#)

[DOWNLOAD TDS](#)



SOPRAFIX BASE 630 SOPRAFIX BASE 640

Mechanically fastened **base sheet** membrane designed for roofing applications. It is composed with a glass grid and polyester reinforcement with high dimensional stability and resistance against puncture and tear.

[VISIT WEBSITE](#)

[DOWNLOAD TDS](#)

DUO SELVEDGE
TECHNOLOGY



COLVENT BASE 830 COLVENT BASE 840

Self-adhered **base sheet** membrane, composed with a glass mat reinforcement. It is installed partially adhered with discontinuous self-adhesive strips.

[VISIT WEBSITE](#)

[DOWNLOAD TDS](#)



DUO SELVEDGE
TECHNOLOGY



SOPRALENE FLAM 180 GR

Heat-welded **cap sheet** membrane designed for roofing and some below grade applications. It is composed of a non-woven polyester reinforcement with excellent resistance against puncture and tear.

[VISIT WEBSITE](#)

[DOWNLOAD TDS](#)



SOPRALENE FLAM JARDIN CAP

Heat-welded **cap sheet** membrane composed of a non-woven polyester reinforcement with anti-root penetration properties.

[VISIT WEBSITE](#)

[DOWNLOAD TDS](#)

DUO SELVEDGE
TECHNOLOGY



SOPRAPLY STICK TRAFFIC CAP

Self-adhered high performance **cap sheet** membrane with a composite reinforcement that allows matchless dimensional stability.

[VISIT WEBSITE](#)

[DOWNLOAD TDS](#)



DUO SELVEDGE
TECHNOLOGY



SOPRASTAR FLAM GR

High performance **cap sheet** membrane composed of a composite reinforcement with a surface covered with extra white highly reflective granules.

[VISIT WEBSITE](#)

[DOWNLOAD TDS](#)

DUO SELVEDGE
TECHNOLOGY

APP MODIFIED BITUMEN WATERPROOFING MEMBRANES



SOPRASUN PLUS 3 SOPRASUN PLUS 3 P/S

Heat-welded **base sheet** membrane with a composite reinforcement and excellent elastic performance.

[DOWNLOAD TDS](#)



SOPRASUN PLUS 4.5KG MINERAL

Heat-welded **cap sheet** membrane with a composite reinforcement and excellent elastic performance.

[VISIT WEBSITE](#)

[DOWNLOAD TDS](#)



SOPRAGUM GARDEN 4 PLUS

Heat-welded **cap sheet** membrane composed of a composite reinforcement and anti-root properties.

[VISIT WEBSITE](#)

[DOWNLOAD TDS](#)

ARCHITECTS, DESIGNERS AND SPECIFIERS

For specification support and project assistance speak to your local SOPREMA representative, or email us at info@soprema.com.au

COMPLEMENTARY PRODUCTS



ALSAN FLASHING with POLYFLEECE

Liquid Flashing

A single component polyurethane/bitumen liquid flashing to be used in conjunction with a reinforcing fabric.

[VISIT WEBSITE](#)

[DOWNLOAD TDS](#)



ALSAN FLASHING QUADRO with ALSAN FLEECE 165

Liquid Flashing

High performance single component polyurethane resin.

[VISIT WEBSITE](#)

[DOWNLOAD TDS](#)



ELASTOCOL STICK

Primer

Used to enhance the adhesion of self-adhesive membranes (eg. SOPRAVAP'R) on various substrates.

[VISIT WEBSITE](#)

[DOWNLOAD TDS](#)



SOPRAMASTIC

Sealant

Mastic for terminations and crack filling.

[VISIT WEBSITE](#)

[DOWNLOAD TDS](#)



SOPRADRAIN ECO 10

Drainage Board

High-density drainage board that helps to drain the rain water excess from your green roof to the water management system.

[VISIT WEBSITE](#)

[DOWNLOAD TDS](#)



ALSAN FLASHING JARDIN with POLYFLEECE

Liquid Flashing

A single component anti-root polyurethane/bitumen liquid flashing to be used in conjunction with a reinforcing fabric.

[VISIT WEBSITE](#)

[DOWNLOAD TDS](#)



ANTIROCK PRIMER

Primer

For concrete and metal surfaces, improves the adhesion of membranes.

[VISIT WEBSITE](#)

[DOWNLOAD TDS](#)



DUOTACK

Adhesive

Two-component polyurethane adhesive used to adhere layers of insulation boards.

[VISIT WEBSITE](#)

[DOWNLOAD TDS](#)



SOPRAMASTIC ALU

Sealant

Aluminium coloured mastic for terminations and crack filling.

[VISIT WEBSITE](#)

[DOWNLOAD TDS](#)



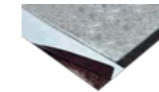
SOPRAVOILE 100

Separation Layer

Not affected by the heat of membrane's installation (by torch-on techniques or with hot bitumen) and can be used as thermal protection layer on heat sensitive substrates.

[VISIT WEBSITE](#)

[DOWNLOAD TDS](#)



2-1 SOPRASMART BOARD

Recovery Board

High performance SBS base sheet panel with thermofusible or sanded surface, laminated on a semi-rigid asphaltic panel.

[VISIT WEBSITE](#)

[DOWNLOAD TDS](#)



AERISOL FLAM

Vented Sheet

Perforated bituminous separating sheet designed for partial bonding of torched-applied waterproofing sheets.

[VISIT WEBSITE](#)

[DOWNLOAD TDS](#)



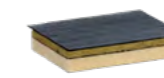
SOPRAJOINT

Expansion Joint

Waterproofing membrane specifically designed for waterproofing expansion joints.

[VISIT WEBSITE](#)

[DOWNLOAD TDS](#)



3-1 SOPRASMART ROCK

Recovery board

Factory-laminated high performance panel, composed of an SBS base sheet membrane, a mineral wool board, and a polyisocyanurate insulation board.

[VISIT WEBSITE](#)



DRAINI BITUMEN

Rainwater outlet

Rainwater outlet composed of a flexible flange made out of elastomer bitumen reinforced with non woven polyester, and an aluminium outlet pipe.

SOPRASOLAR FIX EVO TILT

PHOTOVOLTAIC PANEL SUPPORTS THAT MAINTAIN THE WATERPROOFING PROPERTIES OF THE ROOF

The SOPRASOLAR FIX EVO TILT system is used as a support for photovoltaic panels on roofs.

It makes it possible to link the panel and the cap sheet membrane without piercing it, which could compromise the waterproofing system of the roof.

It can be installed on flat or low-slope roofs, on new or existing buildings.

- ✓ INTACT WATERPROOFING
- ✓ NO BALLAST REQUIRED
- ✓ READY-TO-INSTALL SOLUTION
- ✓ NO THERMAL BRIDGING

[VISIT WEBSITE](#)

[DOWNLOAD TDS](#)

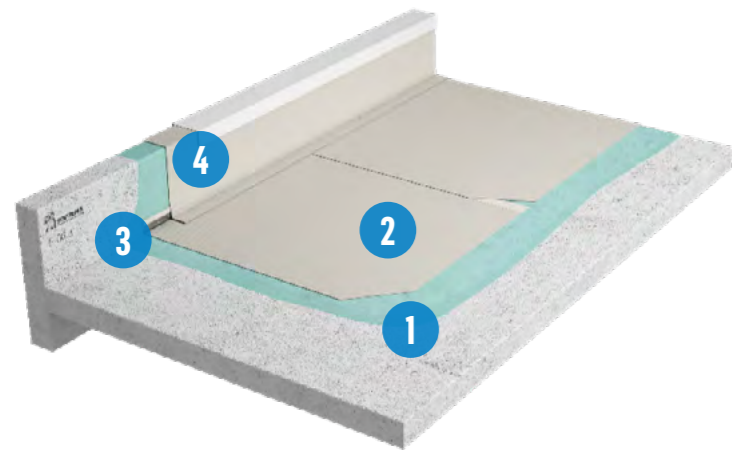


SYNTHETIC PVC SYSTEMS

Our FLAGON® line of high performance synthetic membranes are composed of plasticised PVC (thermoplastic polyvinyl chloride). These membranes are inherently fire and chemical resistant and offer design flexibility for use in both low and steep slope applications.

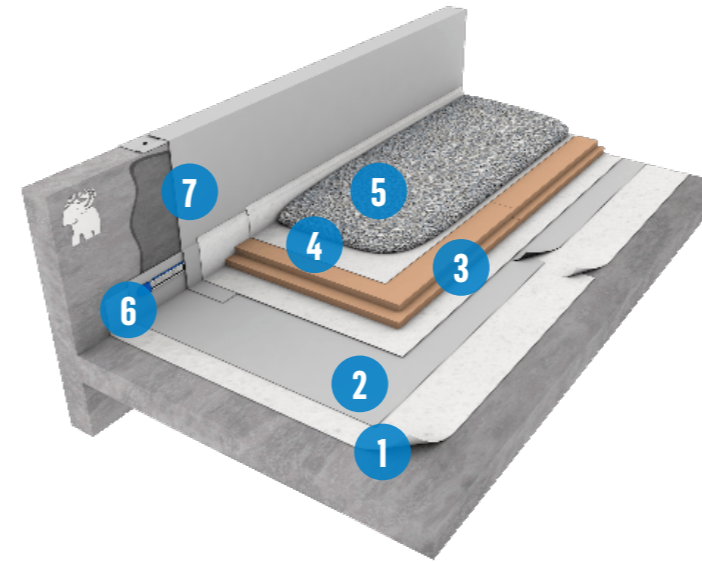


FULLY ADHERED SYSTEM



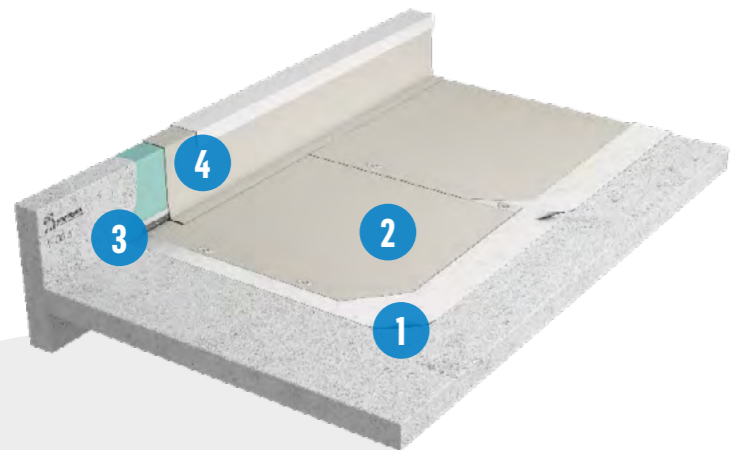
1. Adhesive: **FLEXOCOL A89**
2. Waterproofing membrane: **FLAGON SFC** fleece backed PVC
3. Membrane termination: **FLAGMETAL**, aluminium pressure seal or extruded termination bar.
4. Waterproofing membrane (upstand): **FLAGON SV** adhered with **FLEXOCOL V**

BALLASTED SYSTEM



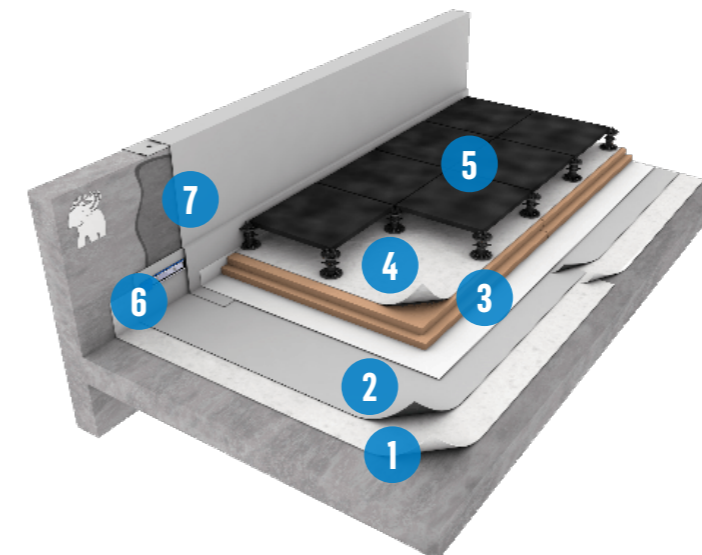
1. Membrane separation layer: **GEOLAND PT FR 200**
2. Waterproofing membrane: **FLAGON SR** mechanically fixed PVC
3. Insulation: **SOPRA-XPS** with **GEOLAND PT FR 200** separation layer
4. Separation layer: **GEOLAND PT FR 200**
5. Ballast (gravel)
6. Membrane termination: **FLAGMETAL**, aluminium pressure seal or extruded termination bar.
7. Waterproofing membrane (upstand): **FLAGON SV** adhered with **FLEXOCOL V**

MECHANICALLY FIXED SYSTEM



1. Membrane separation layer: **GEOLAND PT FR 200**
2. Waterproofing membrane: **FLAGON SR** mechanically fixed PVC
3. Membrane termination: **FLAGMETAL**, aluminium pressure seal or extruded termination bar.
4. Waterproofing membrane (upstand): **FLAGON SV** adhered with **FLEXOCOL V**

TRAFFICABLE SYSTEM

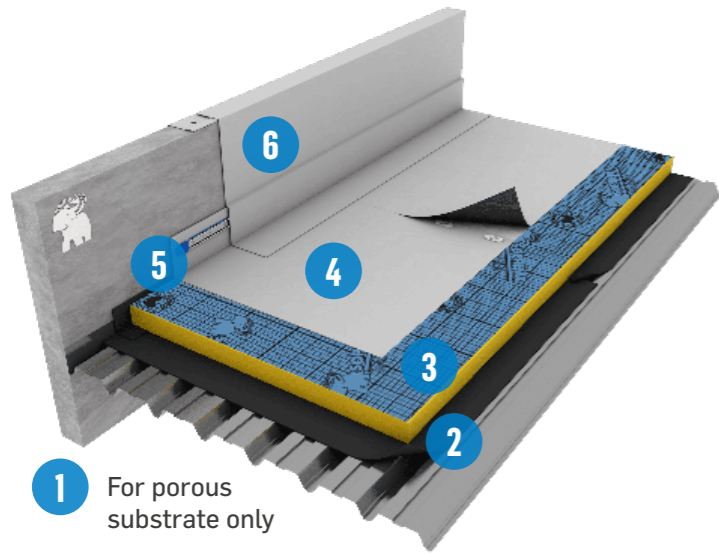


1. Membrane separation layer: **GEOLAND PT FR 200**
2. Waterproofing membrane: **FLAGON SR** mechanically fixed PVC
3. Insulation: **SOPRA-XPS** with **GEOLAND PT FR 200** separation layer
4. Membrane separation layer: **GEOLAND PT FR 200** (optional)
5. Pavers on pedestals
6. Membrane termination: **FLAGMETAL**, aluminium pressure seal or extruded termination bar.
7. Waterproofing membrane (upstand): **FLAGON SV** adhered with **FLEXOCOL V**

ARCHITECTS, DESIGNERS AND SPECIFIERS

For specification support and project assistance, speak to your local SOPREMA representative or email us at info@soprema.com.au

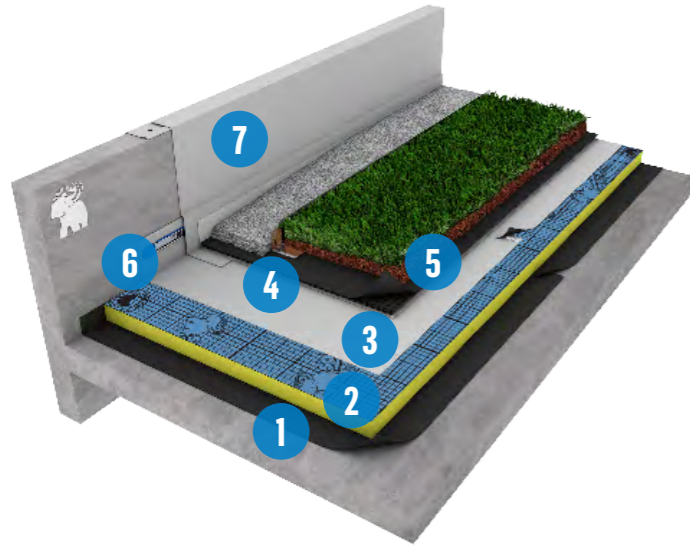
 WARM ROOF SYSTEM



1. Vapour control layer primer: **ELASTOCOL STICK**
2. Vapour control layer: **SOPRAVAP'R**
3. Insulation: **SOPRA-ISO BLUE** (mech. fixed, or adhered with **DUOTACK**)
4. Waterproofing membrane: **FLAGON SR**
5. Membrane termination: **FLAGMETAL**, aluminium pressure seal or extruded termination bar.
6. Waterproofing membrane (upstand): **FLAGON SV** adhered with **FLEXOCOL V**

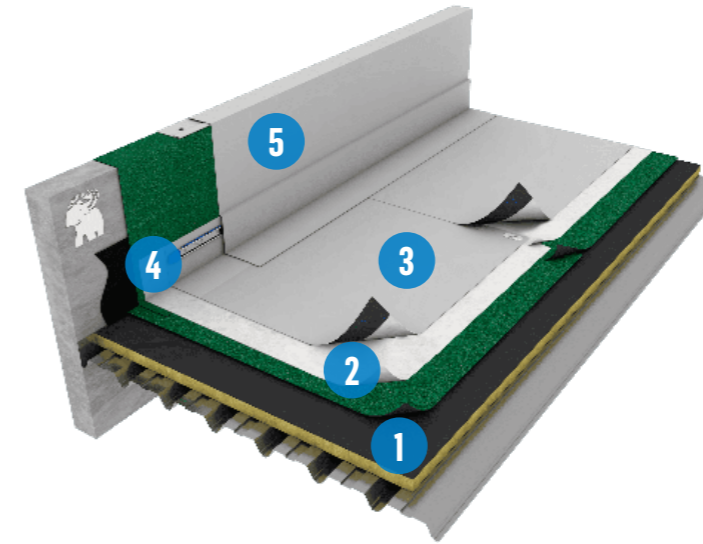
1 For porous substrate only

 GREEN ROOF SYSTEM & PLANTER BOXES



1. Vapour control layer: **SOPRAVAP'R** with **ELASTOCOL STICK** primer
2. Insulation: **SOPRA-ISO BLUE**
3. Waterproof membrane: **FLAGON SR**
4. Separation layer: **GEOLAND PT FR 200**
5. Drainage board: **SOPRADRAIN ECO 10**
6. Membrane termination: **FLAGMETAL**, aluminium pressure seal or extruded termination bar.
7. Waterproof membrane (upstand): **FLAGON SV** adhered with **FLEXOCOL V**

 RECOVERY SYSTEM - MECHANICALLY FIXED



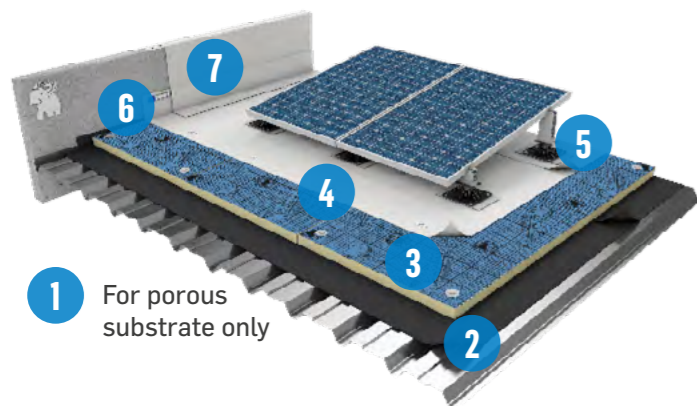
1. Existing failed system
2. Membrane separation layer: **GEOLAND PT FR 200**
3. Waterproof membrane: **FLAGON SR**
4. Membrane termination: **FLAGMETAL**, aluminium pressure seal or extruded termination bar.
5. Waterproof membrane (upstand): **FLAGON SV** adhered with **FLEXOCOL V**

 BLUE ROOF SYSTEM



1. Membrane separation layer: **GEOLAND PT FR 200**
2. Waterproof membrane: **FLAGON AT**
3. Membrane termination: **FLAGMETAL**, aluminium pressure seal or extruded termination bar.

 SOLAR SYSTEM



1. Vapour control layer primer: **ELASTOCOL STICK**
2. Vapour control layer: **SOPRAVAP'R**
3. Insulation: **SOPRA-ISO BLUE** (mech. fixed, or adhered with **DUOTACK**)
4. Waterproof membrane: **FLAGON SR**
5. Solar Support: **SOPRASOLAR FIX EVO TILT PVC**
6. Membrane termination: **FLAGMETAL**, aluminium pressure seal or extruded termination bar.
7. Waterproof membrane (upstand): **FLAGON SV** adhered with **FLEXOCOL V**

1 For porous substrate only

ARCHITECTS, DESIGNERS AND SPECIFIERS

For specification support and project assistance speak to your local SOPREMA representative, or email us at info@soprema.com.au

FLAGON PVC WATERPROOFING MEMBRANES



FLAGON SR

Ideal solution to waterproof exposed roofs. Reinforced with a polyester mesh and a signal layer on the surface.

[VISIT WEBSITE](#)

[DOWNLOAD TDS](#)

Used in:

- Mechanically Fixed system
- Ballasted system
- Trafficable system
- Warm Roof system
- Green Roof system
- Recovery system



FLAGON SFC

Ideal solution to waterproof exposed roofs. Reinforced with a glass fiber mesh and a non-woven polyester fleece-back.

[VISIT WEBSITE](#)

[DOWNLOAD TDS](#)

Used in:

- Fully Adhered system



FLAGON SV

Ideal solution to waterproof upstands and detailing works, as well as ballasted and other protected systems. Reinforced with a glass fibre mesh and a signal layer on the surface.

[VISIT WEBSITE](#)

[DOWNLOAD TDS](#)

Used in:

- Conventional system
- Ballasted system
- Paved system
- Warm Roof system



FLAGON S

Non-reinforced PVC membrane. Ideal solution for detailing works.

[VISIT WEBSITE](#)

[DOWNLOAD TDS](#)

Used in:

- Conventional system
- Ballasted system
- Paved system
- Warm Roof system



FLAGON AT

Specially designed to waterproof potable water tanks and other hydraulic works.

[VISIT WEBSITE](#)

[DOWNLOAD TDS](#)

Used in:

- Blue Roof system



COMPLEMENTARY PRODUCTS



ALSAN FLASHING QUADRO with ALSAN FLEECE 165

Liquid Flashing

High performance single component polyurethane resin.

[VISIT WEBSITE](#)

[DOWNLOAD TDS](#)



ALSAN RS DETAILER with ALSAN RS FLEECE

Liquid System

Two-component polymethyl methacrylate-based (PMMA) liquid resin with microfibers used as the waterproofing paste.

[VISIT WEBSITE](#)

[DOWNLOAD TDS](#)



ELASTOCOL STICK

Primer

Used to enhance the adhesion of self-adhesive membranes (eg. SOPRAVAP'R) on various substrates.

[VISIT WEBSITE](#)

[DOWNLOAD TDS](#)



GEOLAND PT FR 200

Separation Layer

Highly needed non-woven fabric made of 100% polypropylene staple filament geotextile.

[VISIT WEBSITE](#)

[DOWNLOAD TDS](#)



FLEXOCOL A89

Adhesive

One component adhesive formulated with polyurethane.

[VISIT WEBSITE](#)

[DOWNLOAD TDS](#)



FLEXOCOL V

Adhesive

Adhesive for standups

[VISIT WEBSITE](#)

[DOWNLOAD TDS](#)



DUOTACK

Adhesive

Two-component polyurethane adhesive used to adhere layers of insulation boards.

[VISIT WEBSITE](#)

[DOWNLOAD TDS](#)

ARCHITECTS, DESIGNERS AND SPECIFIERS

For specification support and project assistance speak to your local SOPREMA representative, or email us at info@soprema.com.au



SOPRAVAP'R

Vapour Control

Self-adhesive vapour barrier membrane used as a vapour barrier on insulated roof systems.

[VISIT WEBSITE](#)

[DOWNLOAD TDS](#)



SOPRADRAIN ECO 10

Drainage Board

High-density drainage board that helps to drain the rain water excess from your green roof to the water management system.

[VISIT WEBSITE](#)

[DOWNLOAD TDS](#)



PVC CLEANER

Cleaner

Ready-to-use solvent for reactivating the welding zone of FLAGON PVC membranes.

[VISIT WEBSITE](#)

[DOWNLOAD TDS](#)



SOPRASOLAR FIX EVO TILT

PVC Solar Support

Highly needed non-woven fabric made of 100% polypropylene staple filament geotextile.

[VISIT WEBSITE](#)

[DOWNLOAD TDS](#)



Rain Water Outlet

Prefabricated element used for the vertical evacuation of rainwater from the roof surface.

[VISIT WEBSITE](#)



Draini

Rainwater outlet composed of a flexible flange made from flexible PVC and reinforced with fiberglass and an aluminium outlet pipe.

[VISIT WEBSITE](#)



Standing Seam Profile

Prefabricated triangular-shapes raised decorative profile, made of flexible FLAGON PVC.



FLAGMETAL perimeter profile

Finishing element for FLAGON PVC systems with a zinc steel strip coated on the surface.



FLAG METAL Strip

Finishing element for FLAGON PVC systems with a zinc steel strip coated on the surface.



FLAG METAL Termination Strip

Finishing element for FLAGON PVC systems with a zinc steel strip coated on the surface.



Prepunched Galvanised FLAG Bar

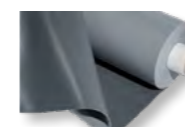
With holes drilled every 25 mm, it is used to mechanically fasten PVC membranes on upstands.

[VISIT WEBSITE](#)



FLAG METAL sheet

Finishing element for FLAGON PVC systems with a zinc steel strip coated on the surface.



FLAGON PVC Walkway

Anti-slip synthetic membrane designed for the specific use as a pedestrian and service pad over flat exposed roof.

[VISIT WEBSITE](#)

ACCESSORIES



Pipe Collar

Prefabricated element used on the roof to give waterproofing continuity around protruding elements of the roof.

[VISIT WEBSITE](#)



Conical Pipe Collar

Prefabricated element in a conical shape, used on the roof to give waterproofing continuity around protruding elements of the roof.

[VISIT WEBSITE](#)



Connection Pipe Collar

The different section diameters allows, once cut to size, a better fitting to the diameter of the protruding element.

[VISIT WEBSITE](#)



Circular Pipe Collar

Prefabricated element in a circular shape, used on the roof to give waterproofing continuity around protruding elements of the roof.

[VISIT WEBSITE](#)



Universal corner - waded

Prefabricated internal corners.

[VISIT WEBSITE](#)



Prefabricated 90° Corners

Internal and External prefabricated corners.

[VISIT WEBSITE](#)

PVC accessories can be ordered in any RAL colour to suit specific aesthetic design requirements.

ARCHITECTS, DESIGNERS AND SPECIFIERS

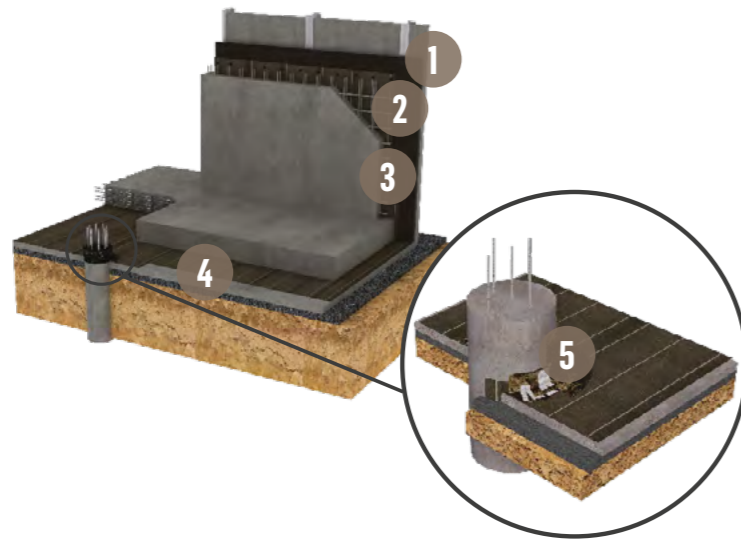
For specification support and project assistance speak to your local SOPREMA representative, or email us at info@soprema.com.au

COLPHENE BELOW GROUND SYSTEMS

Our COLPHENE systems are compatible with all types of foundations, they are fully bonded to structural concrete and are adapted to hydrostatic water head and construction methodology.



PRE-APPLIED SYSTEM



1. Protection/Drainage board:
SOPRADRAIN ECO 10, SOPRADRAIN 10 or SOPRADRAIN 20
2. Adhesive for vertical:
ELASTOCOL STICK primer
3. Waterproof membrane for vertical:
COLPHENE BSW V
4. Waterproof membrane for horizontal:
COLPHENE BSW UNI NG
5. Pile cap detail for above water table:
ALSAN EP M and ALSAN EP CAP

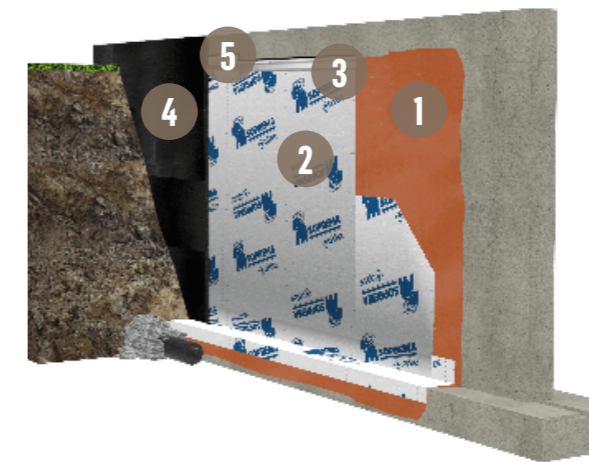
Double layer system:

- **SOPRALENE FLAM 180** base sheet membrane

Membrane separation layer:

- **GEOLAND PP FR** (optional, depending on the substrate)

POST-APPLIED SYSTEM



1. Adhesive primer:
ELASTOCOL STICK primer
2. Waterproof membrane:
COLPHENE 3000
3. Membrane Termination:
Aluminium pressure seal, extruded termination bar
4. Protection/Drainage board:
SOPRADRAIN 10 or SOPRADRAIN 20
5. Mastic Sealant:
SOPRAMASTIC/SOPRAMASTIC ALU

Liquid detailing:

- **ALSAN FLASHING** with **POLYFLEECE** reinforcement fleece, or
- **ALSAN FLASHING QUADRO** with **ALSAN FLEECE 165** reinforcement fleece

**ARCHITECTS, DESIGNERS
AND SPECIFIERS**

For specification support and project assistance speak to your local SOPREMA representative, or email us at info@soprema.com.au

COLPHENE MEMBRANES AND COMPLEMENTARY PRODUCTS

COLPHENE PRE-APPLIED WATERPROOFING MEMBRANES



COLPHENE BSW UNI NG

Heat-welded waterproofing membrane composed of a select blend of high-performance flexible SBS elastomeric bitumen reinforced with a ultra-high strength double reinforcement system.

[VISIT WEBSITE](#)

[DOWNLOAD TDS](#)



COLPHENE BSW V

Self-adhesive waterproofing membrane composed of SBS modified bitumen and a composite reinforcement designed for blindside waterproofing in vertical applications.

[VISIT WEBSITE](#)

[DOWNLOAD TDS](#)

COLPHENE POST-APPLIED WATERPROOFING MEMBRANES



COLPHENE 3000

Self-adhesive waterproofing membrane composed of SBS modified bitumen and a tri-laminated woven polyethylene facer.

[VISIT WEBSITE](#)

[DOWNLOAD TDS](#)

COMPLEMENTARY PRODUCTS



ALSAN FLASHING with POLYFLEECE

Liquid Flashing

A single component polyurethane/bitumen liquid flashing to be used in conjunction with a reinforcing fabric.

[VISIT WEBSITE](#)

[DOWNLOAD TDS](#)



ALSAN FLASHING JARDIN with POLYFLEECE

Liquid Flashing

A single component anti-root polyurethane/bitumen liquid flashing to be used in conjunction with a reinforcing fabric.

[VISIT WEBSITE](#)

[DOWNLOAD TDS](#)



ALSAN FLASHING QUADRO with ALSAN FLEECE 165

Liquid Flashing

High performance single component polyurethane resin.

[VISIT WEBSITE](#)

[DOWNLOAD TDS](#)



ELASTOCOL STICK

Primer

Used to enhance the adhesion of self-adhesive membranes (eg. SOPRAVAP'R) on various substrates.

[VISIT WEBSITE](#)

[DOWNLOAD TDS](#)



ALSAN EP EM

Epoxy Adhesive & Grout

High strength epoxy adhesive used to bond bituminous membranes to a variety of common building materials on vertical and horizontal surfaces.

[VISIT WEBSITE](#)

[DOWNLOAD TDS](#)



ALSAN EP CAP

Epoxy Adhesive & Grout

High strength epoxy adhesive used to bond bituminous membranes to a variety of common building materials on vertical and horizontal surfaces.

[VISIT WEBSITE](#)

[DOWNLOAD TDS](#)



SOPRAMASTIC

Sealant

Mastic for terminations and crack filling.

[VISIT WEBSITE](#)

[DOWNLOAD TDS](#)



SOPRAMASTIC ALU

Sealant

Aluminium coloured mastic for terminations and crack filling.

[VISIT WEBSITE](#)

[DOWNLOAD TDS](#)



GEOLAND PP FR 500/700/1000

Separation Layer

Highly needled non-woven fabric made of 100% polypropylene staple filament geotextile.

[VISIT WEBSITE](#)

[DOWNLOAD TDS](#)



SOPRADRAIN ECO 10

Drainage Board

High-density drainage board that helps to drain the rain water excess from your green roof to the water management system.

[VISIT WEBSITE](#)

[DOWNLOAD TDS](#)



SOPRASWELL NG

Waterstop

Hydrophilic rubber waterproofing strip that in contact with water and in confined conditions, swells and stops the water infiltration.

[VISIT WEBSITE](#)

[DOWNLOAD TDS](#)



SOPRAJOINT TPE

Waterstop

Transparent TPE waterstop used at construction joints, around the piles, at termination or to prevent the risk of increased water through the structure at critical areas.

[VISIT WEBSITE](#)

[DOWNLOAD TDS](#)



SOPRAJOINT

Expansion Joint Membrane

Waterproofing membrane specifically designed for waterproofing expansion joints.

[VISIT WEBSITE](#)

[DOWNLOAD TDS](#)



SOPRAHOSE 13

Injection Hose

Re-injectable injection hose system, used to seal construction joints in concrete structures against water ingress.

[VISIT WEBSITE](#)

[DOWNLOAD TDS](#)

ARCHITECTS, DESIGNERS AND SPECIFIERS

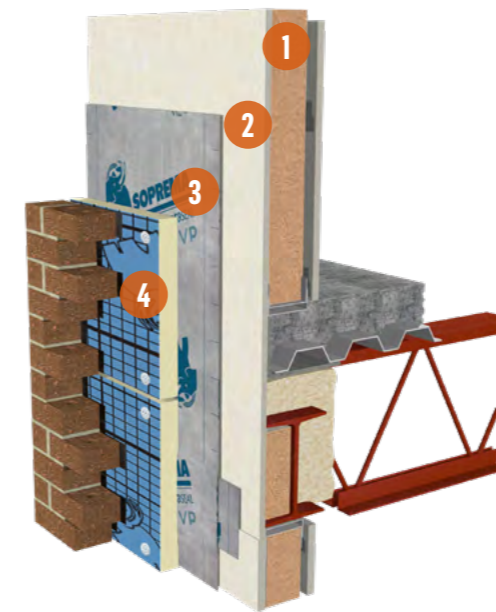
For specification support and project assistance speak to your local SOPREMA representative, or email us at info@soprema.com.au



AIR BARRIER SYSTEMS

SOPRASEAL STICK VP-S FR is a self-adhesive vapour-permeable air-barrier membrane with a tri-laminated polypropylene complex on its surface. Used in wall and roof constructions, it stands out due to its unmatched adhesive properties.

SOPRASEAL STICK VP-S FR



OPTION 1: SBS System

1. Insulation: **PAVATHERM**
2. Framing
3. Air Barrier: **SOPRASEAL STICK VP-S FR**
4. Insulation: **SOPRA-ISO** mechanically fixed

AIR BARRIER MEMBRANES AND ACCESSORIES



SOPRASEAL STICK VP-S FR

Air Barrier Membrane

Self-adhesive vapour permeable and air barrier membrane with a tri-laminated polypropylene facer used on walls and roof constructions.

[VISIT WEBSITE](#)

[DOWNLOAD TDS](#)



SOPRASEAL SEALANT S37S

Sealant

High-performance, moisture cure, solvent and isocyanate free polyether sealant (STPE) with low VOC content, designed to seal wall details.

[VISIT WEBSITE](#)

[DOWNLOAD TDS](#)



SOPRASEAL STICK FLASHPRO HT

Air/Vapour Barrier Membrane

Self-adhesive air/vapour barrier membrane used around openings or as a through-wall flashing and transition membrane.

[VISIT WEBSITE](#)

[DOWNLOAD TDS](#)

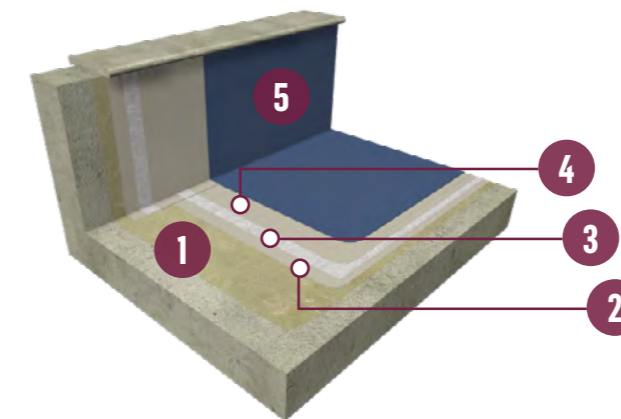
ARCHITECTS, DESIGNERS AND SPECIFIERS

For specification support and project assistance speak to your local SOPREMA representative, or email us at info@soprema.com.au



LIQUID SYSTEMS

The ALSAN RS rapid curing liquid-applied waterproofing systems, composed of different polymethyl methacrylate (PMMA) based resins, are a cutting-edge waterproofing solution. With dramatically fast cure times, these new liquid-applied systems waterproof and protect roofs, balconies and terraces from water.



1. Primer:
ALSAN RS 276 PRIMER
2. Base wear coat:
ALSAN RS 230 FIELD
3. Reinforcement:
ALSAN RS FLEECE
4. Top wear coat:
ALSAN RS 230 FIELD
5. Optional:
ALSAN RS 287 COLOUR FINISH BASE

LIQUID MEMBRANES AND COMPLEMENTARY PRODUCTS



ALSAN RS 230 FIELD

Liquid membrane

Two-component polymethyl methacrylate-based (PMMA) liquid membrane.

[VISIT WEBSITE](#)



ALSAN RS 276 PRIMER

Primer

Fast-curing translucent two-component primer, used to increase the adhesion of ALSAN RS systems.

[VISIT WEBSITE](#)



ALSAN RS FLEECE

Reinforcement

Non-woven, white needle-punched polyester fabric.

[VISIT WEBSITE](#)

ARCHITECTS, DESIGNERS AND SPECIFIERS

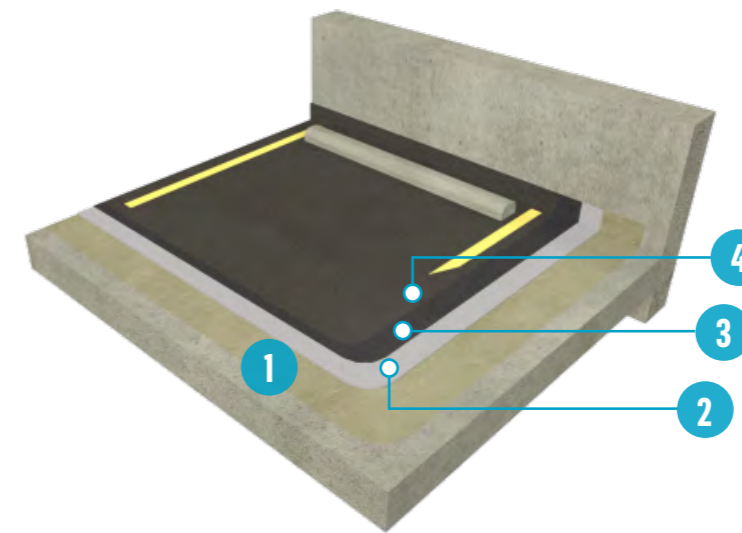
For specification support and project assistance speak to your local SOPREMA representative, or email us at info@soprema.com.au



LIQUID SYSTEMS

ALSAN TRAFIK HP 500 system consists of a primer coat and three single-component polyurethane coats. Due to its superior elongation properties and high abrasive resistance, it waterproofs and protects concrete structures exposed to both pedestrian and vehicular traffic.

ALSAN TRAFIK HP 500



1. Primer:
ALSAN EP 100 H2O
2. Base wear coat:
ALSAN TRAFIK HP 520
3. Top wear coat:
ALSAN TRAFIK HP 530
4. Finish coat:
ALSAN TRAFIK HP 540

LIQUID MEMBRANES AND COMPLEMENTARY PRODUCTS



ALSAN TRAFIK HP

Liquid membrane system

Polyurethane membrane designed to waterproof vehicular and pedestrian traffic areas on concrete decks.

[VISIT WEBSITE](#)

[DOWNLOAD TDS](#)



ALSAN EP 100 H2O

Primer

Two component water base epoxy primer that enhances the adhesion of the coating to most building substrates.

[VISIT WEBSITE](#)

[DOWNLOAD TDS](#)



ALSAN TRAFIK HP COLOURANT

Colourant

Colourant added to ALSAN TRAFIK HP 500 systems to obtain a different colour to draw lines and delimit certain areas.

[VISIT WEBSITE](#)

[DOWNLOAD TDS](#)

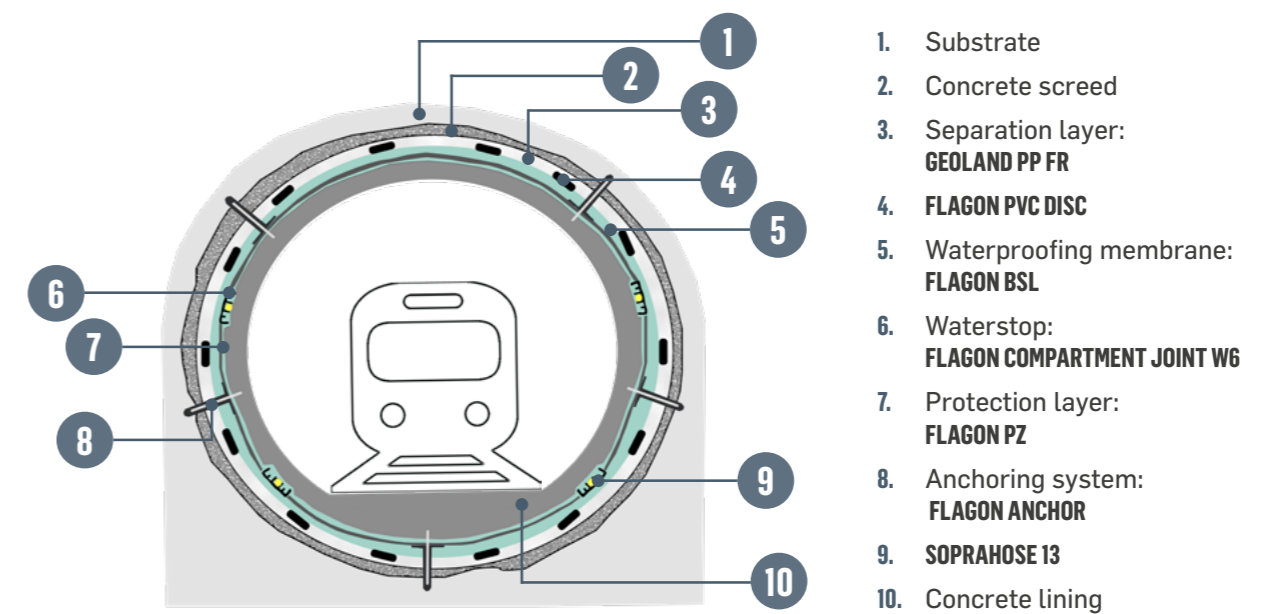
ARCHITECTS, DESIGNERS AND SPECIFIERS

For specification support and project assistance speak to your local SOPREMA representative, or email us at info@soprema.com.au

TUNNEL SYSTEMS

FLAGON synthetic membranes are used as the waterproofing layer in the construction of bored tunnels and linis. FLAGON also offers all of the accessories and equipment necessary to carry out all projects: joints, injection hoses, laminated sheets, hot air welding and testing equipment.

FLAGON DOUBLE LAYER REPAIRABLE SYSTEM



FLAGON WATERPROOFING MEMBRANES



FLAGON BSL

Synthetic membrane of plasticised PVC specially designed to waterproof mined tunnels and other underground structures.

[VISIT WEBSITE](#)

[DOWNLOAD TDS](#)



FLAGON PZ

Synthetic membrane made by co-extrusion from PVC-P. It is highly resistant to attack by micro-organisms and perforation by roots.

[VISIT WEBSITE](#)

[DOWNLOAD TDS](#)

ARCHITECTS, DESIGNERS AND SPECIFIERS

For specification support and project assistance speak to your local SOPREMA representative, or email us at info@soprema.com.au

FLAGON TUNNEL MEMBRANES AND COMPLEMENTARY PRODUCTS

FLAGON TUNNEL WATERPROOFING MEMBRANES

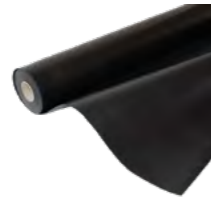


FLAGON BSL

Synthetic membrane of plasticised PVC specially designed to waterproof mined tunnels and other underground structures.

[VISIT WEBSITE](#)

[DOWNLOAD TDS](#)



FLAGON PZ

Synthetic membrane made by co-extrusion from PVC-P. It is highly resistant to attack by micro-organisms and perforation by roots.

[VISIT WEBSITE](#)

[DOWNLOAD TDS](#)

COMPLEMENTARY PRODUCTS



GEOLAND PP FR

Separation Layer

100% polypropylene staple filament, highly needed for the use of a wide range of geotechnical applications including separation, protection, filtration and drainage procedures.

[VISIT WEBSITE](#)

[DOWNLOAD TDS](#)



FLAGON COMPARTMENT JOINT W6

Waterstop

A finishing element in PVC-P characterised by six T flaps, used to prevent the passage of water in correspondence of joints or concrete casting joints.

[VISIT WEBSITE](#)

[DOWNLOAD TDS](#)



FLAGON ANCHOR

Anchoring System

It allows the steel bars and other items to be fixed to support without penetrating waterproofing layer of the FLAGON BSL membrane.

[VISIT WEBSITE](#)

[DOWNLOAD TDS](#)



SOPRAHOSE 13

Re-injection System

PVC based hose with offset openings and/or slots for outlet of compressed injection material to seal joints in subterranean constructions.

[VISIT WEBSITE](#)

[DOWNLOAD TDS](#)

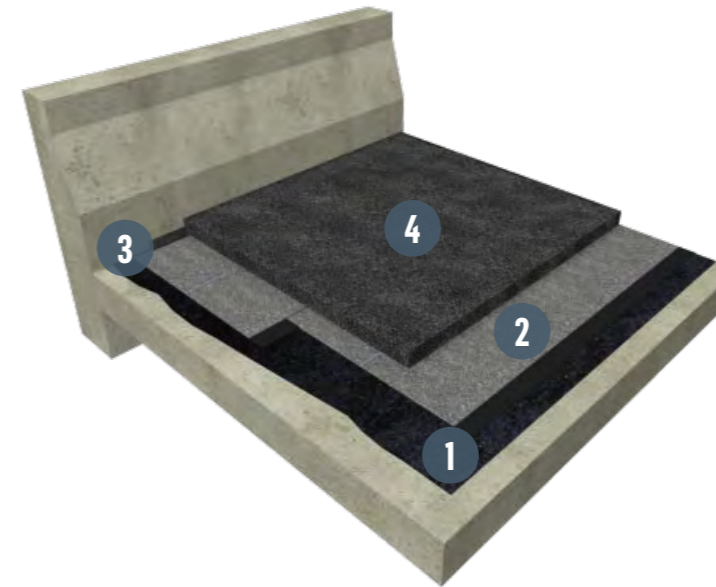
ARCHITECTS, DESIGNERS AND SPECIFIERS

For specification support and project assistance, speak to your local SOPREMA representative or email us at info@soprema.com.au

BRIDGE BITUMINOUS SYSTEMS

ANTIROCK products can be installed on road bridges, rail bridges, parking decks or slabs directly underneath one or more layers of asphalt bituminous mixtures.

ANTIROCK BRIDGE



1. Primer: **ANTIROCK PRIMER**
2. Waterproofing membrane: **ANTIROCK BRIDGE**
3. Sealant: **ANTIROCK SEALANT**
4. Asphalt



ANTIROCK WATERPROOFING MEMBRANES



ANTIROCK BRIDGE

Torchable SBS modified bitumen waterproofing membrane with a nonwoven polyester reinforcement mesh (180g/m²).

[VISIT WEBSITE](#)

[DOWNLOAD TDS](#)

COMPLEMENTARY PRODUCTS



ANTIROCK PRIMER

Primer

Primer for concrete and metal surfaces, improves the adhesion of membranes.

[VISIT WEBSITE](#)

[DOWNLOAD TDS](#)



ANTIROCK SEALANT

Sealant

Multipurpose mastic composed of fibres and mineral fillers with SBS modified bitumen.

[VISIT WEBSITE](#)

[DOWNLOAD TDS](#)



GET IN TOUCH!

WWW.SOPREMA.COM.AU

INFO@SOPREMA.COM.AU