

WP208 Waterproofing Wet Areas - Frameless Shower (over screed)

Preparation:

1. All surfaces to be waterproofed must be firm, clean, dry, sound and smooth. All grease, oil, wax, curing compounds, loose material, paint and any other contaminants must be removed, masonry surfaces must be pointed flush and surface defects repaired. New concrete must be cured for a minimum of 28 days.
2. External corners to be waterproofed must be bevelled to ensure a smooth transition of membrane from vertical to horizontal surfaces.

Installation:

1. Waterproofing installation shall be in accordance with the applicable provisions of the National Construction Code. Tile installation shall be in accordance with AS 3958 Installation of Ceramic and Stone Tiles.
2. Install a waterstop angle to the perimeter of the shower and at the door opening.
3. Install **TPA Screed** to achieve appropriate falls to waste. Where a bonded screed is required, apply a bond coat using **TPA 401M** or **TPA Lite**. Install **TPA Rapid Screed** for an engineered or rapid set screed, using a bond coat of **TPA Rapid** for bonded screeds.

TPA Screed is a pre-blended screed mixture for the installation of cementitious screeds and tile beds, suitable for internal and external floor applications.

TPA Rapid Screed is a pre-blended, rapid set, engineered screed mixture for the installation of cementitious screeds and tile beds, suitable for internal and external floor applications.
4. Install a puddle flange to all waste pipes, ensuring that puddle flanges are recessed into the substrate.
5. Install an appropriate fillet (bond breaker) along waterstop angle where required using **WPA MS** or **WPA SPUR**.

WPA MS is a single component, moisture cured silane modified hybrid sealant.

WPA SPUR is a high quality, professional, universal, low modulus sealant based on hybrid technology.
6. Apply **WPA 160** primer to non-porous surfaces, such as puddle flange and waterstop angle.

WPA 160 is a specialised solvent free primer designed for enhancing the adhesion of subsequent membranes, adhesives, toppings and decorative finishes over non-porous substrates.
7. Apply **WPA 360** or **WPA 460** primer to the substrate to be waterproofed.

WPA 360 is a water-based, low solids, fast drying primer.

WPA 460 is a two-part, water-based epoxy primer, used to seal concrete and masonry surfaces.
8. Measure and pre-cut the **WPA Elastoband** and **WPA Aqualay** to the desired lengths.

WPA Elastoband is an innovative detailing system designed for waterproofing and sealing all types of joints, junctions and transitions subjected to movement.

WPA Aqualay is an innovative, high performance, flexible, easy to implement new generation sheet waterproofing membrane system.
9. Apply **WPA 200** to all transitions, extending it 100mm both sides of the junction. Embed the **WPA Elastoband** into a wet coat of **WPA 200** with a brush or appropriate plastic trowel, ensuring fabric edges are fully wetted out, removing air pockets and excess **WPA 200**.

WPA 200 is a flexible, two-part, rapid drying, cementitious waterproofing membrane system, specifically designed for use under tile, stone and exposed applications.
10. Apply **WPA 200** to the substrate ensuring 100% coverage. Position and embed **WPA Aqualay** into a wet coat of **WPA 200** using a plastic trowel to remove all air pockets and excess **WPA 200**. All sheets must be overlapped a minimum of 50mm and sealed over with **WPA 200**.
11. Pipe penetrations will require the **WPA Aqualay** to be cut to enable the sheet to be placed over the penetration. Measure and place a cut where the sheet will be positioned and install the sheet, ensuring the **WPA Aqualay** is firmly bonded around the penetration. Install **WPA Elastoband** into a wet coat of **WPA 200** around the pipe penetration and complete the installation with a liberal coat of **WPA 200** to fully seal the overlapped section.
12. Install tiles using **TPA 401M**, **TPA 501R** or **TPA Lite** tile adhesive.

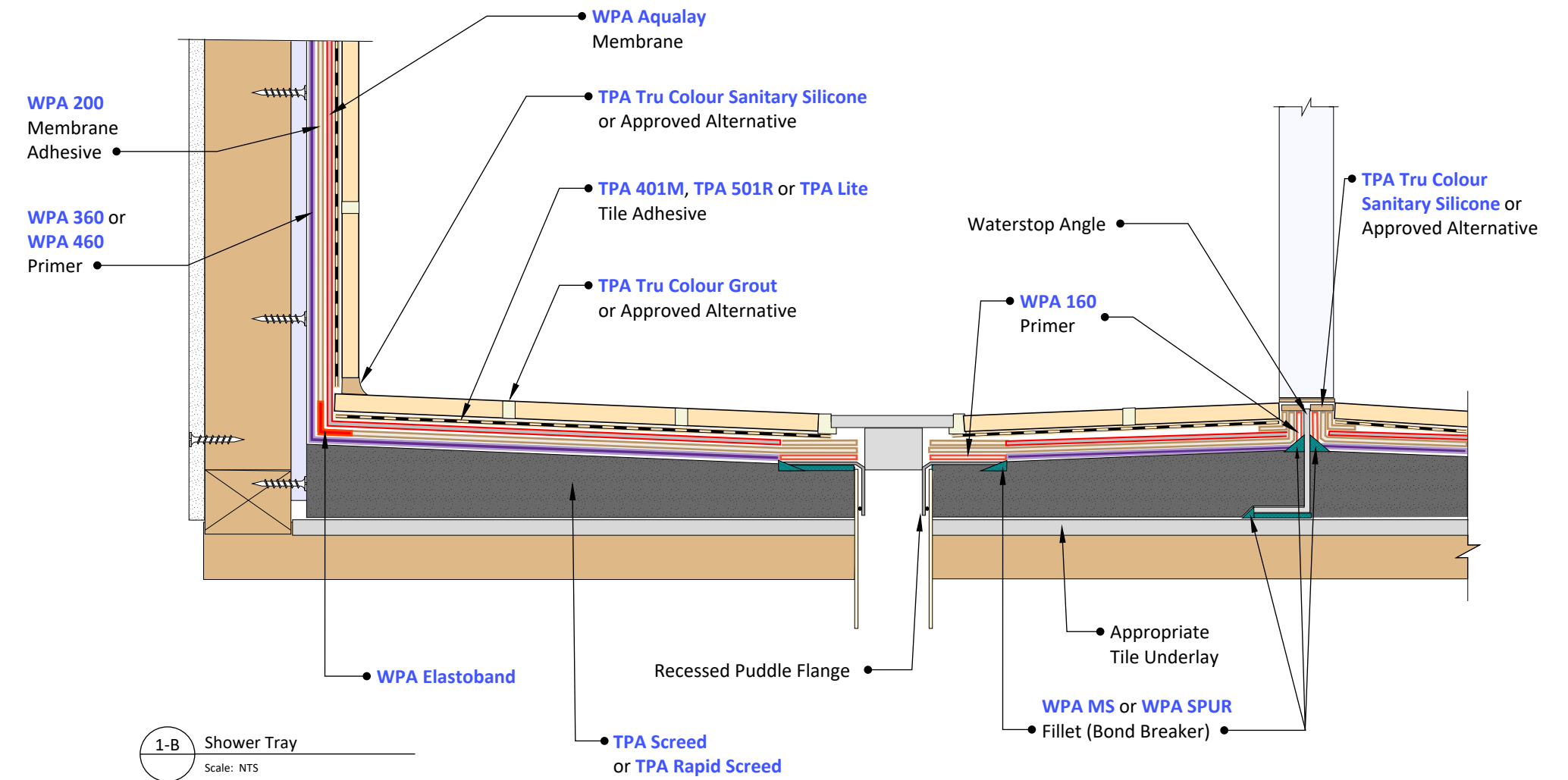
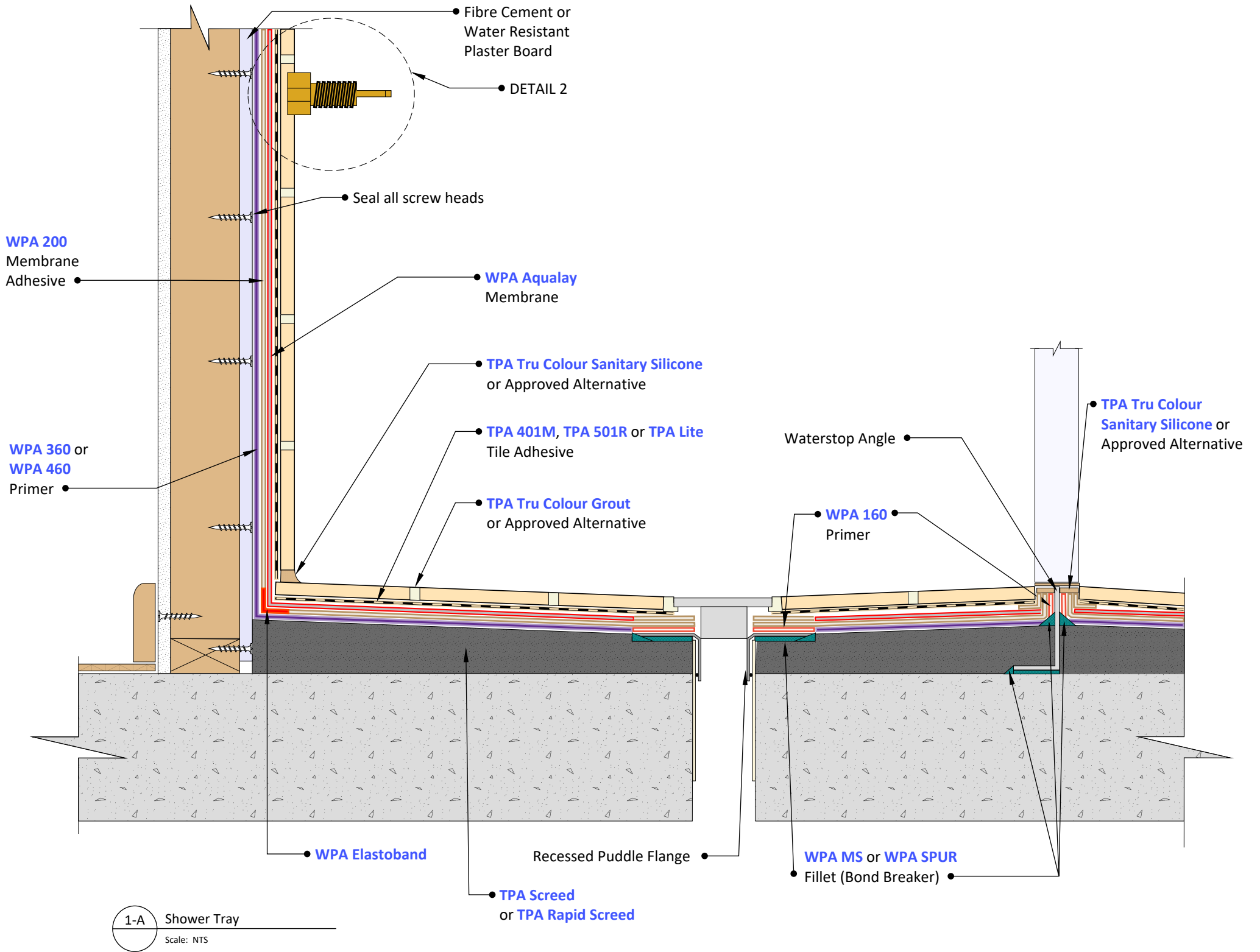
TPA 401M is a white, flexible, powdered adhesive for wall and floor applications.

TPA 501R is a cost effective, high coverage, flexible, powdered adhesive for wall and floor applications.

TPA Lite is a premium grade, white, fibre reinforced, flexible cement based tile adhesive, based on a light weight formulation.
13. Grout tiles using **TPA Tru Colour Grout** or approved alternative.

TPA Tru Colour Grout is a high-performance stain & efflorescence resistant grout, designed for use with most types of Ceramic, Mosaic, Natural Stone and Glass Tiles.
14. Install backing rod to all perimeter and intermediate movement joints and seal with **TPA Tru Colour Sanitary Silicone** or approved alternative.

TPA Tru Colour Sanitary Silicone is a mould resistant, non-diluted, high performance, UV resistant, neutral cure silicone sealant.



© COPYRIGHT BAYSET PTY LTD
ANY FORM OF REPRODUCTION OF THIS DRAWING IN FULL OR IN PART WITHOUT THE WRITTEN PERMISSION OF BAYSET PTY LTD CONSTITUTES AN INFRINGEMENT OF COPYRIGHT



**Waterproofing Wet Areas
- Frameless Shower
(over screed)**

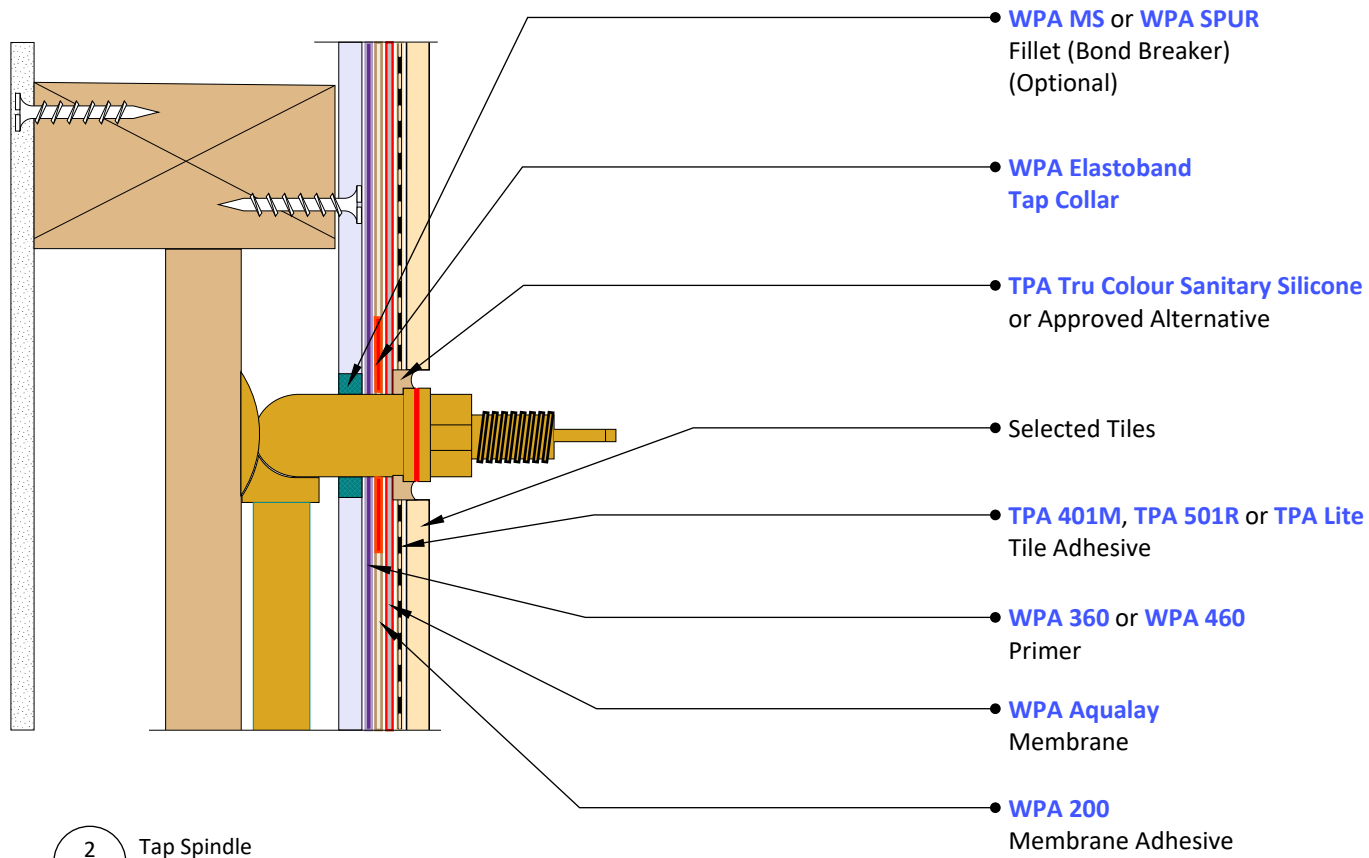
DRAWING NUMBER

WP208

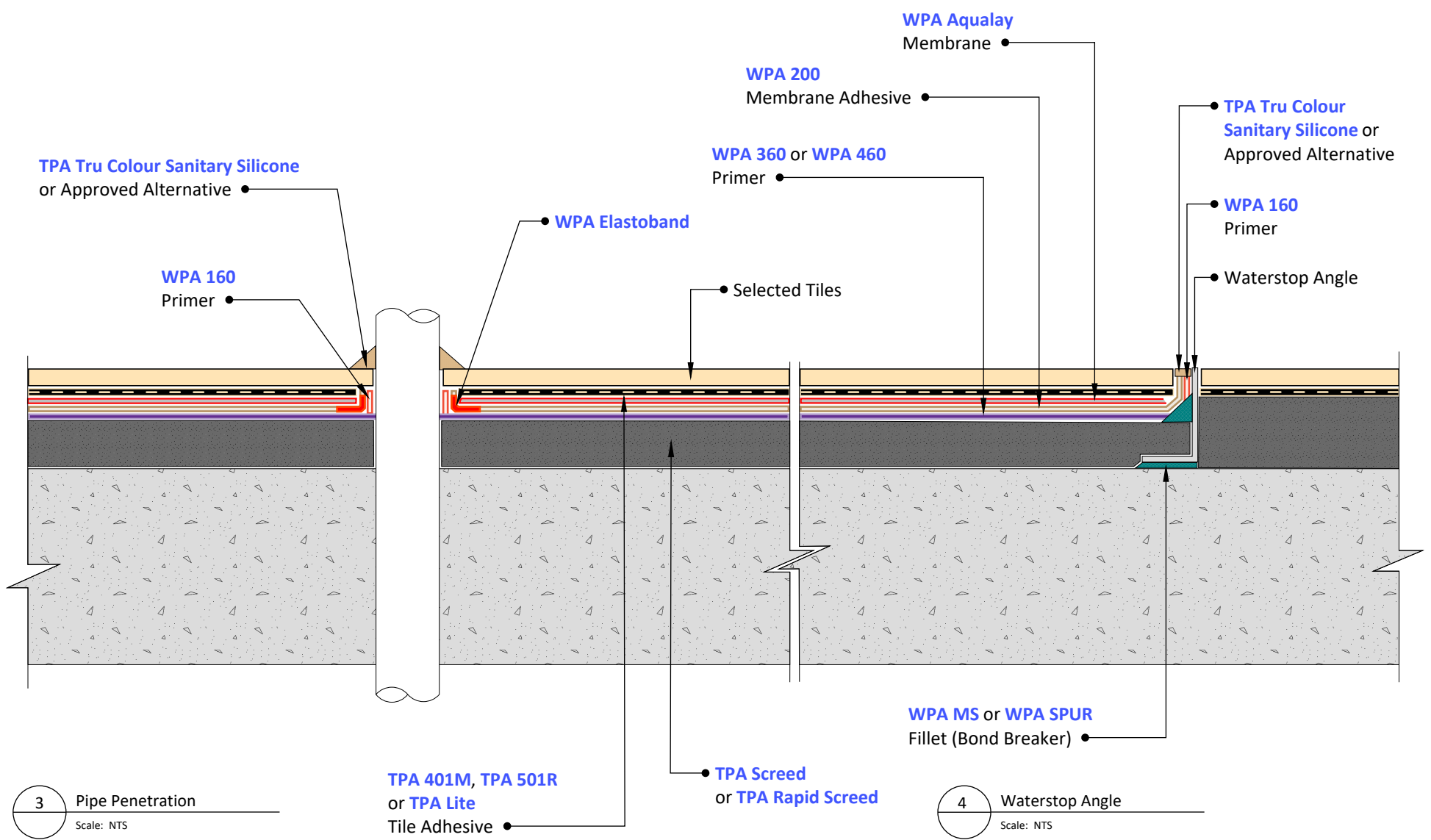
SCALE: NTS

RELEASE: May 27, 2024

DRAWN BY: CS



2 Tap Spindle
Scale: NTS



3 Pipe Penetration
Scale: NTS

4 Waterstop Angle
Scale: NTS

© COPYRIGHT BAYSET PTY LTD
 ANY FORM OF REPRODUCTION OF THIS DRAWING IN FULL OR IN PART WITHOUT THE WRITTEN PERMISSION OF BAYSET PTY LTD CONSTITUTES AN INFRINGEMENT OF COPYRIGHT



**Waterproofing Wet Areas
 - Frameless Shower
 (over screed)**

DRAWING NUMBER

WP208

SCALE: NTS

RELEASE: May 27, 2024

DRAWN BY: CS